

# Squeegee system

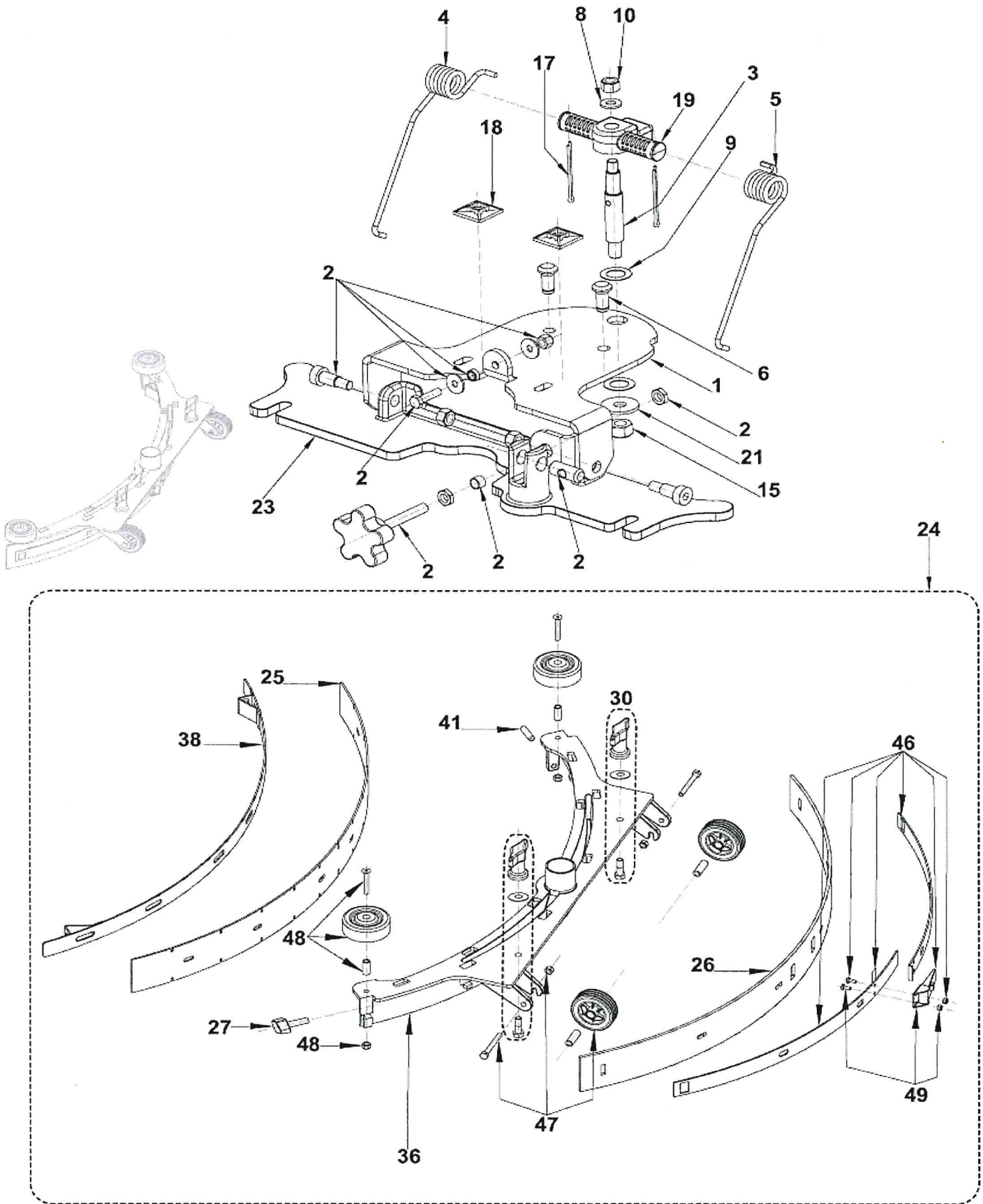
BA451/BA451D/BA531/BA 531D

07-04-2010

Part List ID

E183119

15



# Squeegee system BA 551-551D-551CD

BA551/BA551D/BA551CD/BA611D

18-04-2010

Part List ID

E186121

15

