



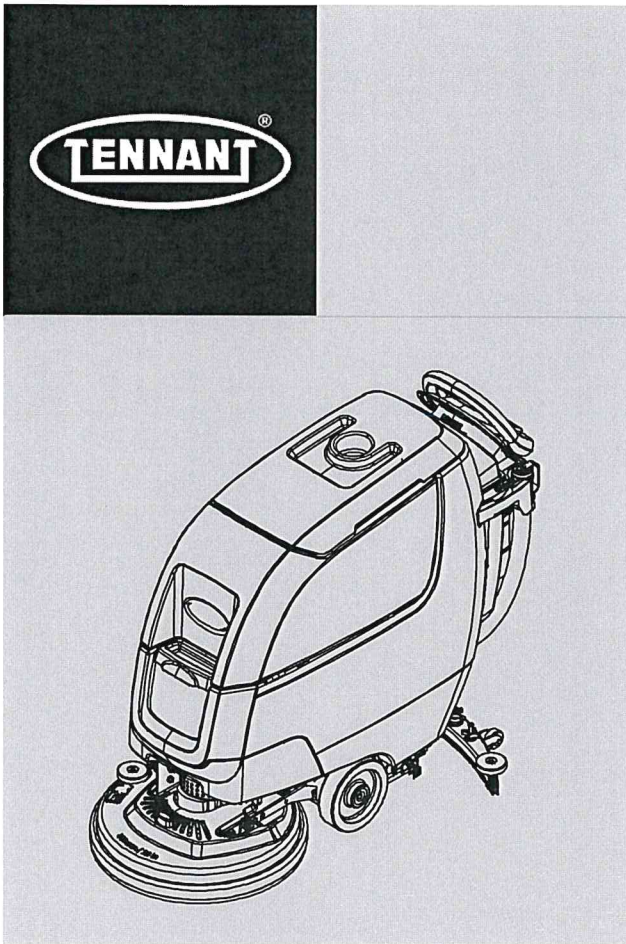
# T300

Walk-behind Floor Scrubber

Parts Manual



(S/N 10000000-20000000)



**Hygenic<sup>®</sup> Fully Cleanable Recovery Tank**  
**TennantTrue<sup>®</sup> Parts**  
**IRIS<sup>®</sup> a Tennant Technology**



**North America / International**



For the latest Parts manuals and other  
language Operator manuals, visit:

[www.tennantco.com/manual](http://www.tennantco.com/manual)

[www.tennantco.com](http://www.tennantco.com)

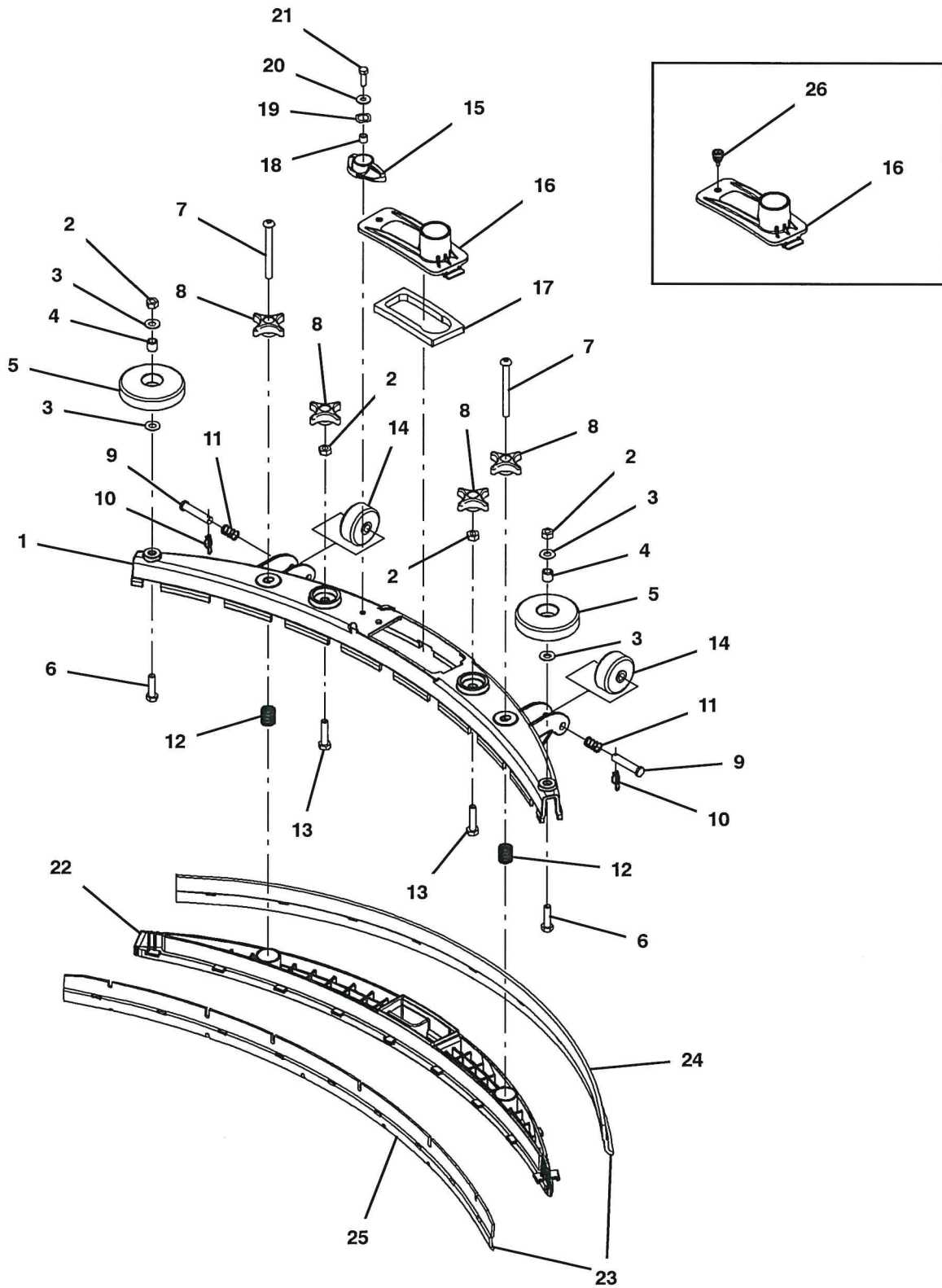
9014500  
Rev. 06 (04-2018)



# STANDARD PARTS

## SQUEEGEE ASSEMBLY, 500MM / 20IN

355437



## STANDARD PARTS

### SQUEEGEE ASSEMBLY, 500MM / 20IN

Ref.	Part No.	Serial Number	Description	Qty.
▽	9014172	(10000000-20000000)	Squeegee Kit, Linatex, Ci [T300/E/Ss300]	1
▲	1 1230946	(10000000-20000000)	Frame, Sqge, 50cm, Mach [T300]	1
▲	2 07786	(10000000-20000000)	Nut, Hex, Std, M8 X 1.25, Ss	2
▲	3 140027	(10000000-20000000)	Washer, Flat, 0.35b 0.75d .04, Ss	4
▲	4 222460	(10000000-20000000)	Sleeve, P/M, 0.32b 0.50d 0.5l [430ss]	2
▲	5 1010560	(10000000-20000000)	Wheel, Bmpr, 80d X 25w, Non-Marking	2
▲	6 1016399	(10000000-20000000)	Screw, Hex, M8 X 1.25 X 30, NI, Ss	2
▲	7 1212755	(10000000-20000000)	Screw, Btn, M8 X 1.25 X 80, Ss	2
▲	8 1213677	(10000000-20000000)	Knob, Star, 2.00od 4ear M8x1.25 [Yel]	4
▲	9 17461	(10000000-20000000)	Pin, Clevis, 0.37d X 1.75l	2
▲	10 1216647	(10000000-20000000)	Pin, Cotter, Hair, 0.38d .054 Wir	2
▲	11 1017091	(10000000-20000000)	Spring, Cmpr, 0.50od .04wir 00.8l	2
▲	12 22290	(10000000-20000000)	Spring, Cmpr, 0.72od .06wir 02.3l	2
▲	13 09026	(10000000-20000000)	Screw, Hex, M8 X 1.25 X 40, Ss	2
▲	14 630477	(10000000-20000000)	Wheel, Pyu, 02.0d 0.38w, Gray	2
▲	15 1222109	(xxxxxxx-20000000)	Knob, Sqge, 58l, M6 X 1.00, Plstc	1
▲	16 1209631	(10000000-20000000)	Cover, Trap, Water, Sqge	1
▲	17 1210756	(10000000-20000000)	Gasket, Trap, Water, Sqge	1
▲	18 140154	(xxxxxxx-20000000)	Sleeve, P/M, 0.25b 0.38d 0.3l, PI	1
▲	19 140060	(xxxxxxx-20000000)	Washer, .505 X .750 X 0.45 Wave	1
▲	20 01684	(xxxxxxx-20000000)	Washer, Flat, 0.27b 0.69d .05, Ss	1
▲	21 12277	(xxxxxxx-20000000)	Screw, Hex, M6 X 1.00 X 20, NI, Ss	1
▲	22 1203638	(10000000-20000000)	Retainer, Sqge [T300]	1
▲▽	23 9015731	(10000000-20000000)	Blade Kit, 500mm, Linatex (Standard)	1
▲▲	24 1203953	(10000000-20000000)	Blade, Sqge, Rear, 836l, Linatex[500mm] (Standard)	1
▲▲	25 1203954	(10000000-20000000)	Blade, Sqge, Front, 788l, Linatex[500mm] (Standard)	1
▽	23 9015732	(10000000-20000000)	Blade Kit, 500mm, Urethane (Option)	1
▲	24 1215609	(10000000-20000000)	Blade, Sqge, Rear, 836l, Urethane[500mm] (Option)	1
▲	25 1215611	(10000000-20000000)	Blade, Sqge, Front, 788l, Urethane[500mm] (Option)	1
▽	23 9015730	(10000000-20000000)	Blade Kit, 500mm, Gum (Option)	1
▲	24 1215610	(10000000-20000000)	Blade, Sqge, Rear, 836l, Gum[500mm] (Option)	1
▲	25 1215612	(10000000-20000000)	Blade, Sqge, Front, 788l, Gum[500mm] (Option)	1
	26 1212683	(10000000-xxxxxxx)	Screw, Captive, M5, Knurled [Snap In]	1

▽ ASSEMBLY

▲ INCLUDED IN ASSEMBLY

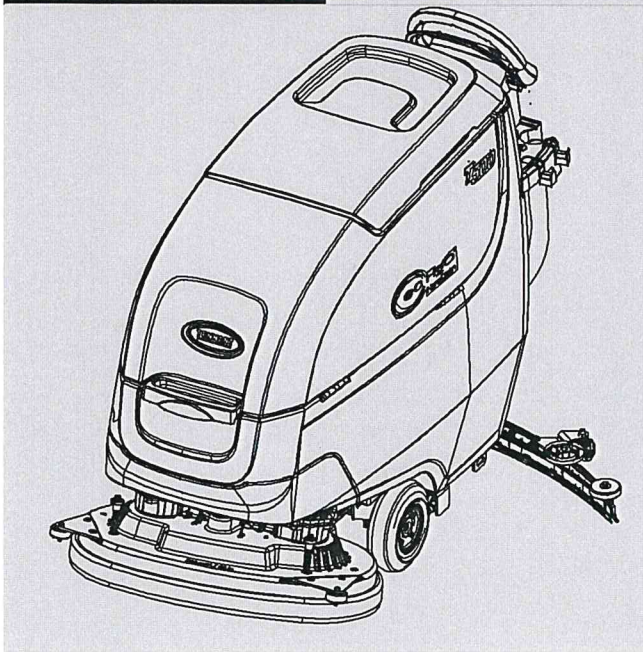


# T500

WALK-BEHIND FLOOR SCRUBBER

Machine Serial Number Range  
(S/N 00001- )

Parts Manual



*Hygenic*<sup>®</sup> Fully Cleanable Recovery Tank  
*TennantTrue*<sup>®</sup> Parts  
*IRIS*<sup>®</sup> a Tennant Technology  
*Pro-Panel*<sup>®</sup> Controls  
*Insta-Fit*<sup>™</sup> Adapter  
*Smart-Fill*<sup>™</sup> Automatic Battery Watering



For the latest Parts manuals and other  
language Operator manuals, visit:

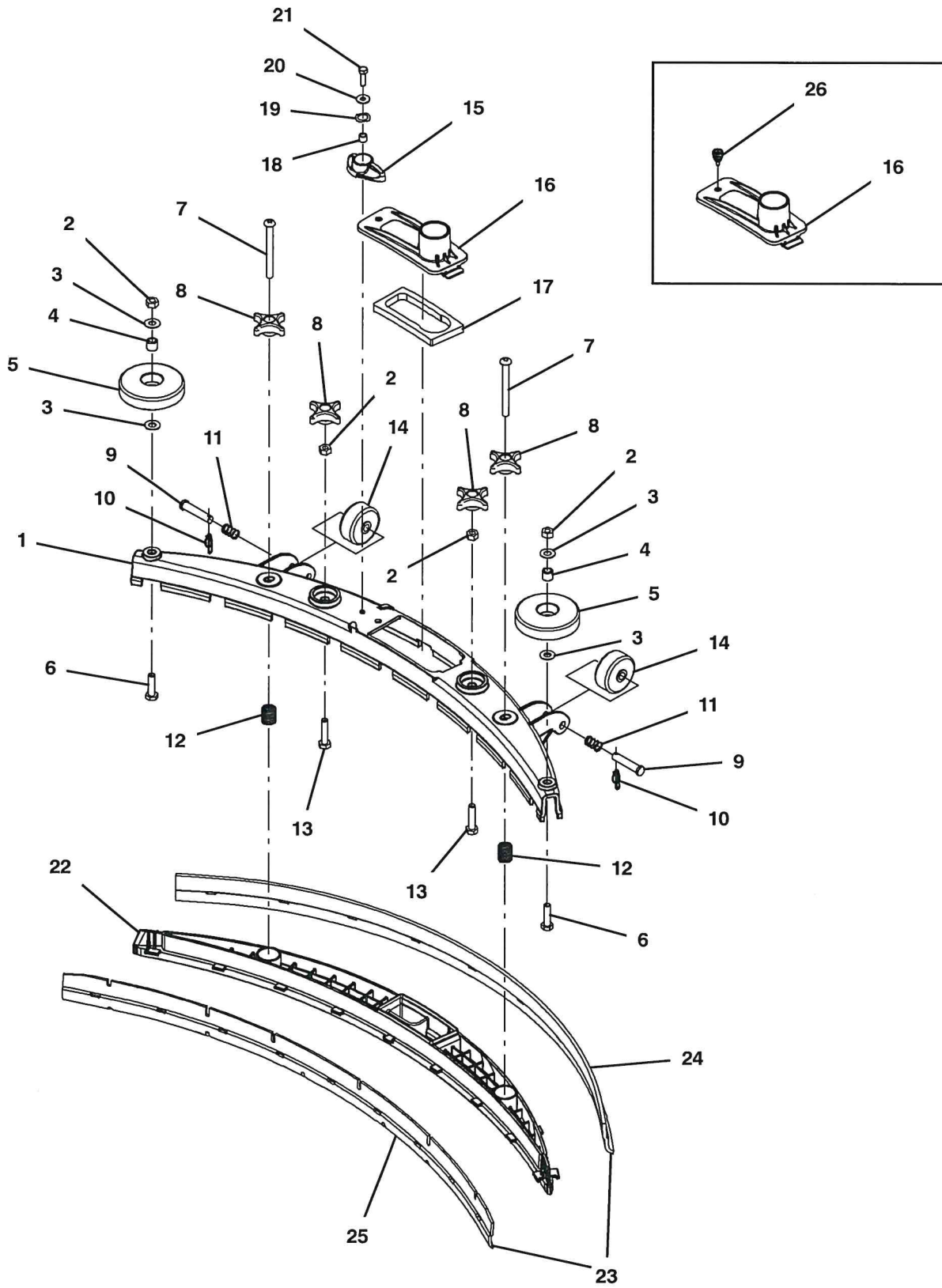
[www.tennantco.com/manuals](http://www.tennantco.com/manuals)

9015530  
Rev. 03 (11-2018)



SQUEEGEE ASSEMBLY, 500MM / 20IN

355437



SQUEEGEE ASSEMBLY, 500MM / 20IN

Ref.	Part No.	Serial Number	Description	Qty.
▽	9014172	(00001-	) Squeegee Kit, Linatex, Ci [T300/E/Ss300]	1
▲	1 1230946	(00001-	) Frame, Sqge, 50cm, Mach [T300]	1
▲	2 07786	(00001-	) Nut, Hex, Std, M8 X 1.25, Ss	2
▲	3 140027	(00001-	) Washer, Flat, 0.35b 0.75d .04, Ss	4
▲	4 222460	(00001-	) Sleeve, P/M, 0.32b 0.50d 0.5l [430ss]	2
▲	5 1010560	(00001-	) Wheel, Bmpr, 80d X 25w, Non- Marking	2
▲	6 1016399	(00001-	) Screw, Hex, M8 X 1.25 X 30, NI, Ss	2
▲	7 1212755	(00001-	) Screw, Btn, M8 X 1.25 X 80, Ss	2
▲	8 1213677	(00001-	) Knob, Star, 2.00od 4ear M8x1.25 [Yel]	4
▲	9 17461	(00001-	) Pin, Clevis, 0.37d X 1.75l	2
▲	10 1216647	(00001-	) Pin, Cotter, Hair, 0.38d .054 Wir	2
▲	11 1017091	(00001-	) Spring, Cmpr, 0.50od .04wir 00.8l	2
▲	12 22290	(00001-	) Spring, Cmpr, 0.72od .06wir 02.3l	2
▲	13 09026	(00001-	) Screw, Hex, M8 X 1.25 X 40, Ss	2
▲	14 630477	(00001-	) Wheel, Pyu, 02.0d 0.38w, Gray	2
▲	15 1222109	(xxxxx-	) Knob, Sqge, 58l, M6 X 1.00, Plstc	1
▲	16 1209631	(00001-	) Cover, Trap, Water, Sqge	1
▲	17 1210756	(00001-	) Gasket, Trap, Water, Sqge	1
▲	18 140154	(xxxxx-	) Sleeve, P/M, 0.25b 0.38d 0.3l, PI	1
▲	19 140060	(xxxxx-	) Washer, .505 X .750 X 0.45 Wave	1
▲	20 01684	(xxxxx-	) Washer, Flat, 0.27b 0.69d .05, Ss	1
▲	21 12277	(xxxxx-	) Screw, Hex, M6 X 1.00 X 20, NI, Ss	1
▲▽	22 9015731	(00001-	) Blade Kit, 500mm, Linatex (Standard)	1
▲▲	23 1203953	(00001-	) Blade, Sqge, Rear, 836l, Linatex[500mm] (Standard)	1
▲▲	24 1203954	(00001-	) Blade, Sqge, Front, 788l, Linatex[500mm] (Standard)	1
▲	25 1203638	(00001-	) Retainer, Sqge [T300]	1
▽	23 9015732	(00001-	) Blade Kit, 500mm, Urethane (Option)	1
▲	24 1215609	(00001-	) Blade, Sqge, Rear, 836l, Urethane[500mm] (Option)	1
▲	25 1215611	(00001-	) Blade, Sqge, Front, 788l, Urethane[500mm] (Option)	1
▽	23 9015730	(00001-	) Blade Kit, 500mm, Gum (Option)	1
▲	24 1215610	(00001-	) Blade, Sqge, Rear, 836l, Gum[500mm] (Option)	1
▲	25 1215612	(00001-	) Blade, Sqge, Front, 788l, Gum[500mm] (Option)	1
	26 1212683	(00001-xxxxx	) Screw, Captive, M5, Knurled [Snap In]	1

▽ ASSEMBLY

▲ INCLUDED IN ASSEMBLY