

Fig. 14 – Sweeping Main Brush Drive Motor Group

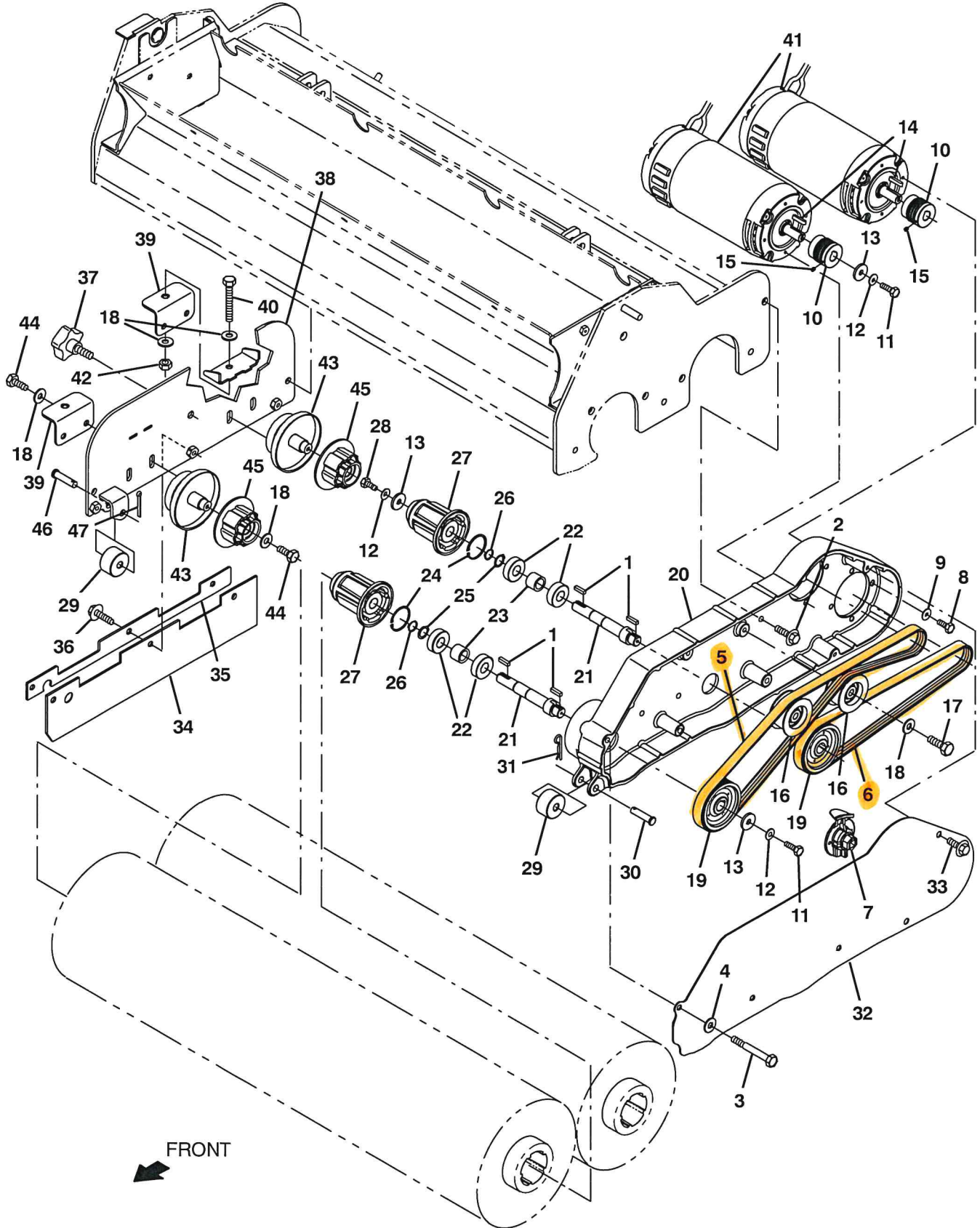


Fig. 14 – Sweeping Main Brush Drive Motor Group

Ref.	Part No.	Serial Number	Description	Qty.
1	00911	(0000–	) Key, Sq, 0.19 X 0.19, 0.75l	4
2	1037354	(0000–	) Screw, Hex, M8 X 1.25 X 30, 9.8, Sems	3
3	39279	(0000–	) Screw, Hex, M8 X 1.25 X 70, 8.8	1
4	01685	(0000–	) Washer, Flat, 0.38b 0.88d .08, Ss	1
▽	9015028	(0000–	) Belt Kit, Swp, Afmkt [M17]	1
▲	5 1217546	(0000–	) Belt, Ribbed, 40.5l [Pj07]	1
▲	6 1217545	(0000–	) Belt, Ribbed, 29.8l [Pj07]	1
▲	7 1221590	(0000–	) Tool, Installation, Belt [M17]	1
8	11329	(0000–	) Screw, Hex, M6 X 1.00 X 16, NI, Ss	8
9	01684	(0000–	) Washer, Flat, 0.27b 0.69d .05, Ss	8
10	1217704	(0000–	) Sheave, 07grv, 1.53pd 0.56b [Pj]	2
11	06944	(0000–	) Screw, Hex, M6 X 1.00 X 25, 8.8	4
12	41185	(0000–	) Washer, Flat, Belleville, .25	4
13	1017218	(0000–	) Washer, Flat, 0.32b 1.00d .12, Ss	4
14	1014328	(0000–	) Key, Sq, 05mm X 05mm, 25mml	2
15	222818	(0000–	) Screw, Set, Soc, 08–32 X 0.25, NI	2
16	1220508	(0000–	) Pulley Assy, Idler	2
17	21198	(0000–	) Screw, Hex, .38–16 X 1.25, G5	2
18	32491	(0000–	) Washer, Flat, 0.31, Std	12
19	1225730	(0000–	) Sheave, 07grv, 2.96pd 0.63b [Pj]	2
▽	9015024	(0000–	) Drive Kit, Swp, Afmkt [M17]	1
▲	20 1219167	(0000–	) Plate, Drive, Brush, Main, Mach	1
▲	21 1218065	(0000–	) Shaft, Drive, Main Sweep	2
▲	22 28010	(0000–	) Bearing, Ball, 0.62b 1.38d 0.43w	4
▲	23 1219608	(0000–	) Spacer, Brg	2
▲	24 01513	(0000–	) Ring, Retaining, Int,	2
▲	25 18136	(0000–	) Ring, Retaining, Ext, 0.62d, Basic	2
▲	26 01516	(0000–	) Ring, Retaining, Ext, 0.59d, Basic	2
27	12269	(0000–	) Plug, Drive, Brush, Nyl	2
28	11329	(0000–	) Screw, Hex, M6 X 1.00 X 16, NI, Ss	2
29	1219303	(0000–	) Wheel, 01.5d 0.88w 0.39b [Uhmw]	2
30	17461	(0000–	) Pin, Clevis, 0.37d X 1.75l	1
31	44906	(0000–	) Pin, Cotter, Hair, 0.38d .093 Wir	1
32	1219422	(0000–	) Cover, Belt, Drive, Swp	1
33	1020341	(0000–	) Screw, Hex, M8 X 1.25 X 20, Ss, Sems	2
34	1219071	(0000–	) Skirt, Sweep, Rh	1
35	1219090	(0000–	) Retainer, Skirt, .12, 1.2w X 16.3l, Gray	1
36	1037346	(0000–	) Screw, Hex, M8 X 1.25 X 25, 9.8, Sems	3
37	1223100	(0000–	) Knob, Star, 2.00d 5ear, M10 X 1.0l Stud	1
38	1219642	(0000–	) Plate Wldt, Side	1
39	1219725	(0000–	) Angle Wldt	2
40	1014163	(0000–	) Screw, Hex, M8 X 1.25 X 60, Fl, Ss	2
41	1053342	(0000–	) Motor, Ele, 36vdc 1750rpm 1.00hp 22.0a (See Breakdowns)	2
42	08709	(0000–	) Nut, Hex, Lock, M8 X 1.25, NI	2
43	1219358	(0000–	) Hub Wldt, Idler	2
44	16931	(0000–	) Screw, Hex, M8 X 1.25 X 20, 8.8	6
45	1057629	(0000–	) Plug, Idler, Brush [Sgl Brg]	2
46	29558	(0000–	) Pin, Clevis, 0.37d X 1.50l	1
47	08182	(0000–	) Pin, Cotter, .125 X 1.00	1