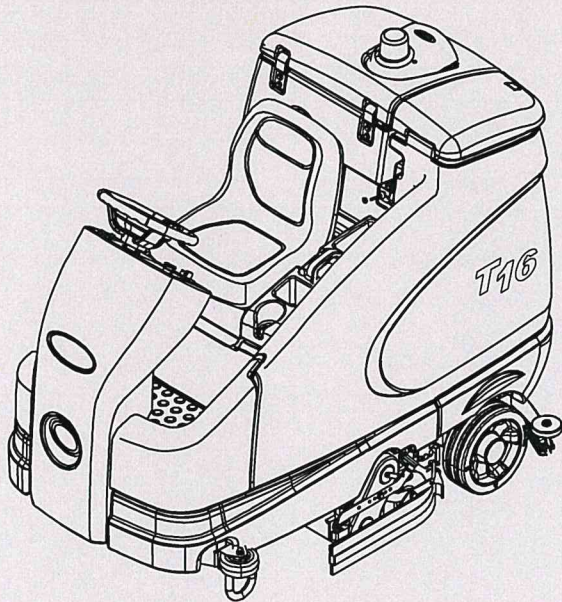
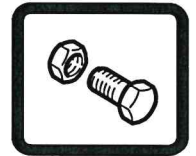




# T16

(Battery)

## Rider Scrubber Parts Manual



## Europe



For latest Parts manual or other  
Operator language manuals, visit:

[www.tennantco.com/manuals](http://www.tennantco.com/manuals)

9008332  
Rev. 15 (2-2022)



Fig. 13 – Scrub Head Drive Group, Cylindrical

