

NOTE: DO NOT DISCARD the Parts List from the Instruction Bulletin. Place the Parts List in the appropriate place in your machine manual for future reference. Retaining the Parts List will make it easier to reorder individual parts and will save you the cost of ordering an entire kit.

NOTE: Numbers in parenthesis () are reference numbers for parts listed in Bill of Materials.

Installation Instructions for Kit number 80116 (6080G / LP and 3640G / LP) & 80117 (6080E / EE and 3640E / EE)

SYNOPSIS / PROBLEM:

This kit contains the parts needed to replace the main brush belt and update the spring idler system on the model 6080 and 3640 sweepers. Please follow step-by-step instructions.

SPECIAL TOOLS / CONSIDERATIONS: None

(Estimated time to complete: 1 hour)

PREPARATION:

(Refer to FIG. 1 and 2)

FOR SAFETY: Before leaving or servicing machine, stop on level surface and place the shifter in the Park position. Turn off machine and remove key.

INSTALLATION:

(Refer to FIG. 1 and 2)

1. Remove the main brush.
2. Raise the right side of the machine and install a block under the frame.
3. Remove the flat head screw holding the hub cap and drive wheel to the axle. Remove the hub cap and drive wheel from the machine.
4. Place the main brush lift lever in the down position.
5. Place a screw driver in the 1/4 in. hole in the brush arm behind the idler arm. Place the main brush lift lever in the up position. The screw driver will hold the idler from moving and tension on the brush belt will be released.

NOTE: The pressure on the belt tensioner must be released before the drive belt can be replaced.

6. Remove the old brush belt from the motor sheave, belt tensioner sheaves, and main brush drive plug sheave. Remove the drive belt from the machine.
7. Check the machine serial number. If the serial number is between 2100 and 3820, inspect the main brush idler system for 3 spacer washers in conjunction with the idler spring.
8. If no washers are present, remove the upper spring strip from the frame by removing the M6 hex bolt.

9. Install the 3 washers provided onto the spring strip and reinstall into compression spring and frame, being sure to install spacers and sleeve correctly.
10. Position the new drive belt in the machine. First, loop it over the motor sheave, then, over the main brush drive plug sheave, then, the idler sheaves.
11. Place the main brush lift lever in the down position.
12. Remove the screw driver from the brush arm. Place the main brush lift lever in the up position.
13. Reinstall the right side drive wheel and hub cap. Tighten the flat screw to 7.6 - 9.9 Nm (6 - 8 ft lb).
14. Install the main brush. Lower the machine and operate the main brush. Check for proper operation.

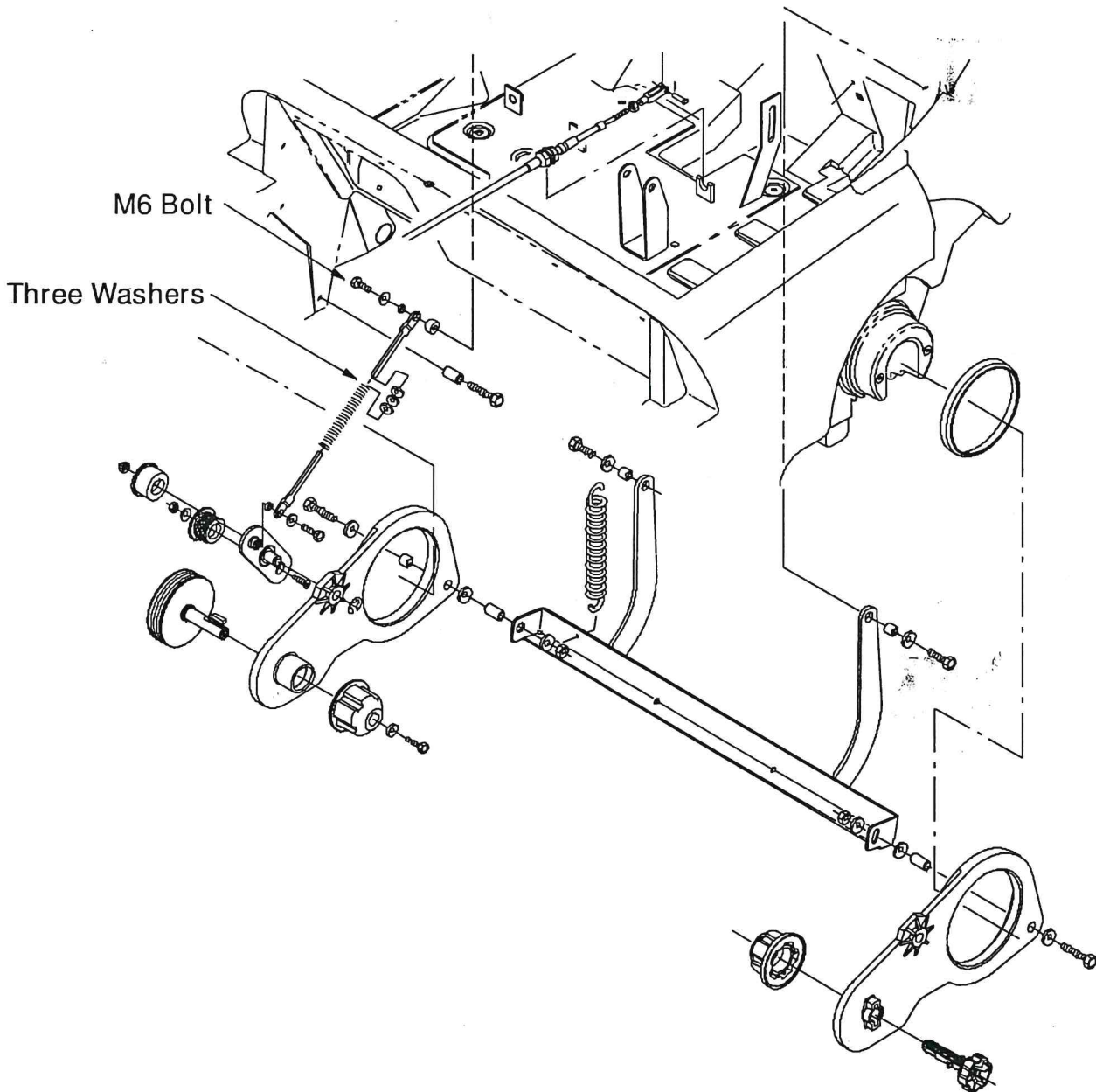


FIG. 1 - Belt Replacement Procedure

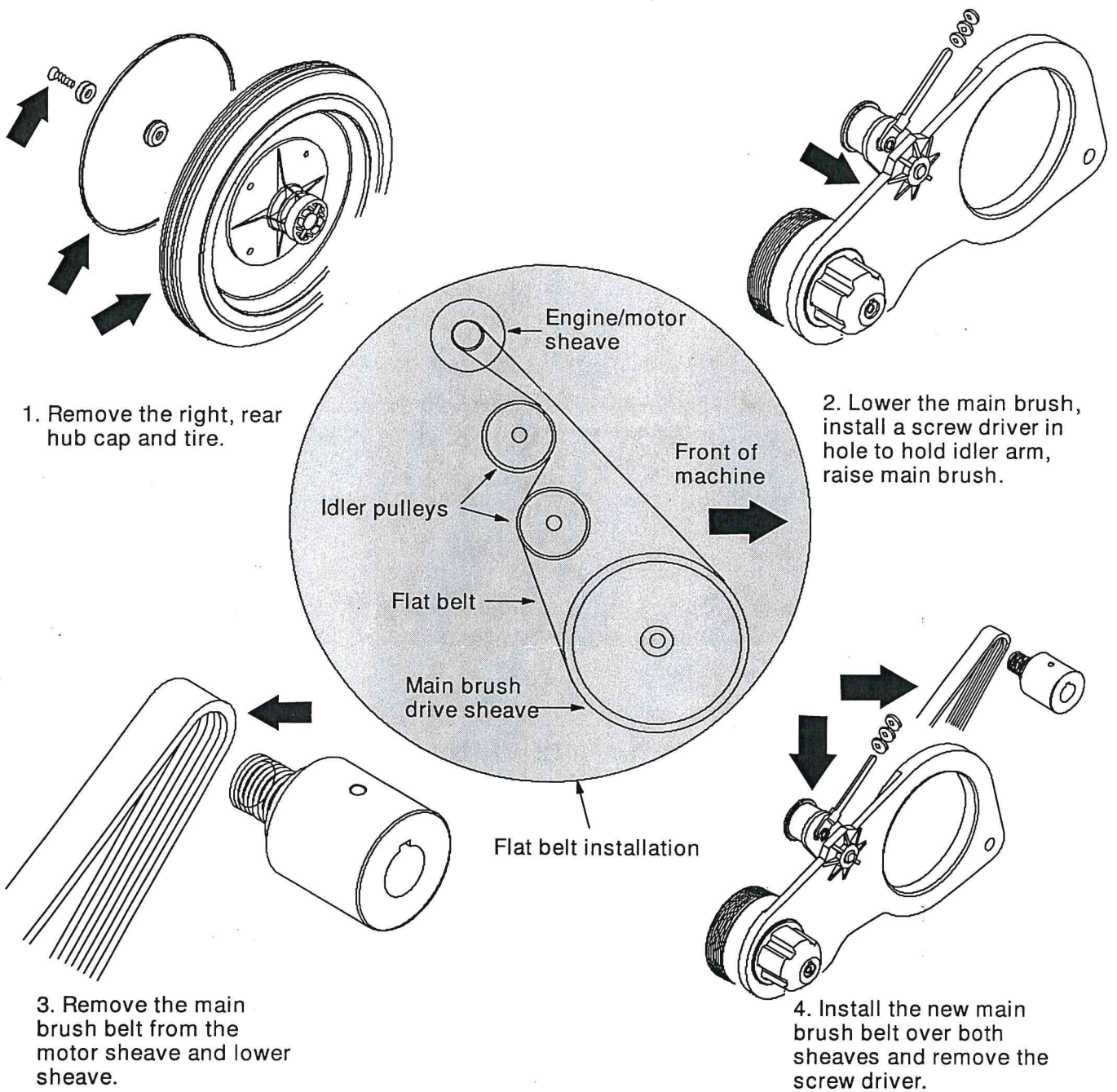


FIG. 2 - Belt Replacement Procedure

BILL OF MATERIALS FOR MAIN BRUSH FLAT DRIVE BELT REPLACEMENT KIT 80116 (G)
& 80117 (E)

Ref.	TENNANT Part No.	Description	Qty.
1	80135	Main brush belt, G/LP	1
2	80139	Main brush belt, E	1
2	39349	Washer	3

TENNANT COMPANY
P. O. Box 1452
Minneapolis, MN 55440-1452