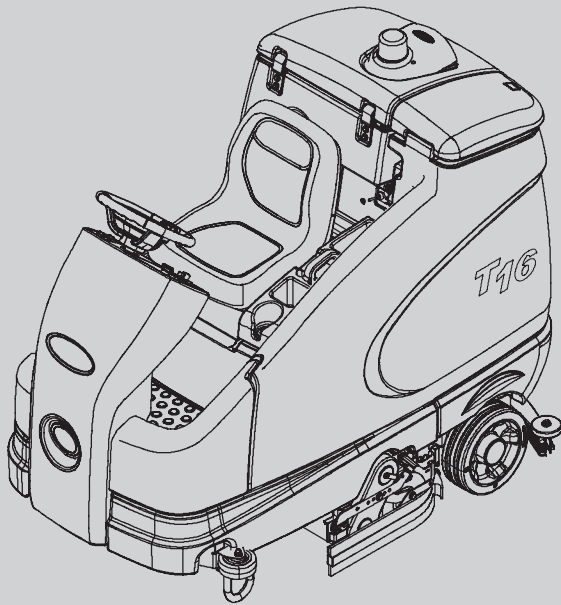
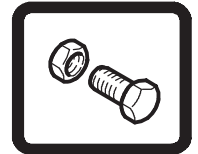




T16

(Battery)

Rider Scrubber Parts Manual



www.tennantco.com

9008332
Rev. 00 (3-2011)



Fig. 18 - Solution Tank Group

