

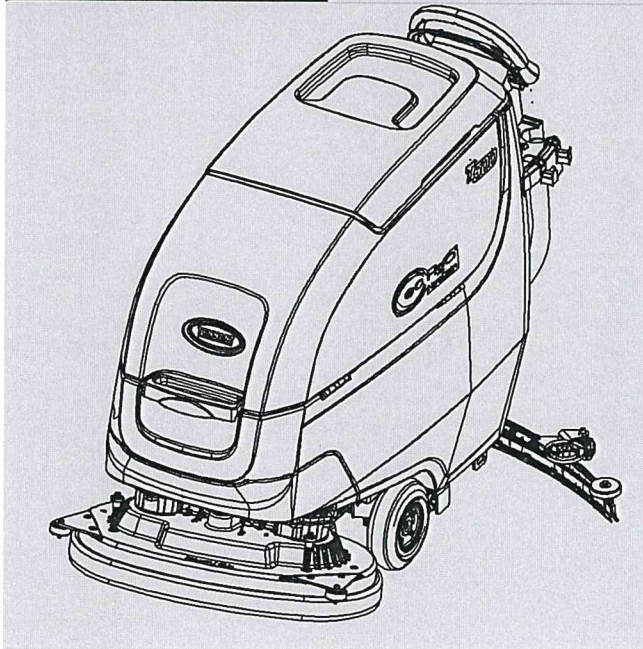


T500

WALK-BEHIND FLOOR SCRUBBER

Machine Serial Number Range
(S/N 00001-)

Parts Manual



Hygenic[®] Fully Cleanable Recovery Tank
TennantTrue[®] Parts
IRIS[®] a Tennant Technology
Pro-Panel[®] Controls
Insta-Fit[™] Adapter
Smart-Fill[™] Automatic Battery Watering



For the latest Parts manuals and other
language Operator manuals, visit:

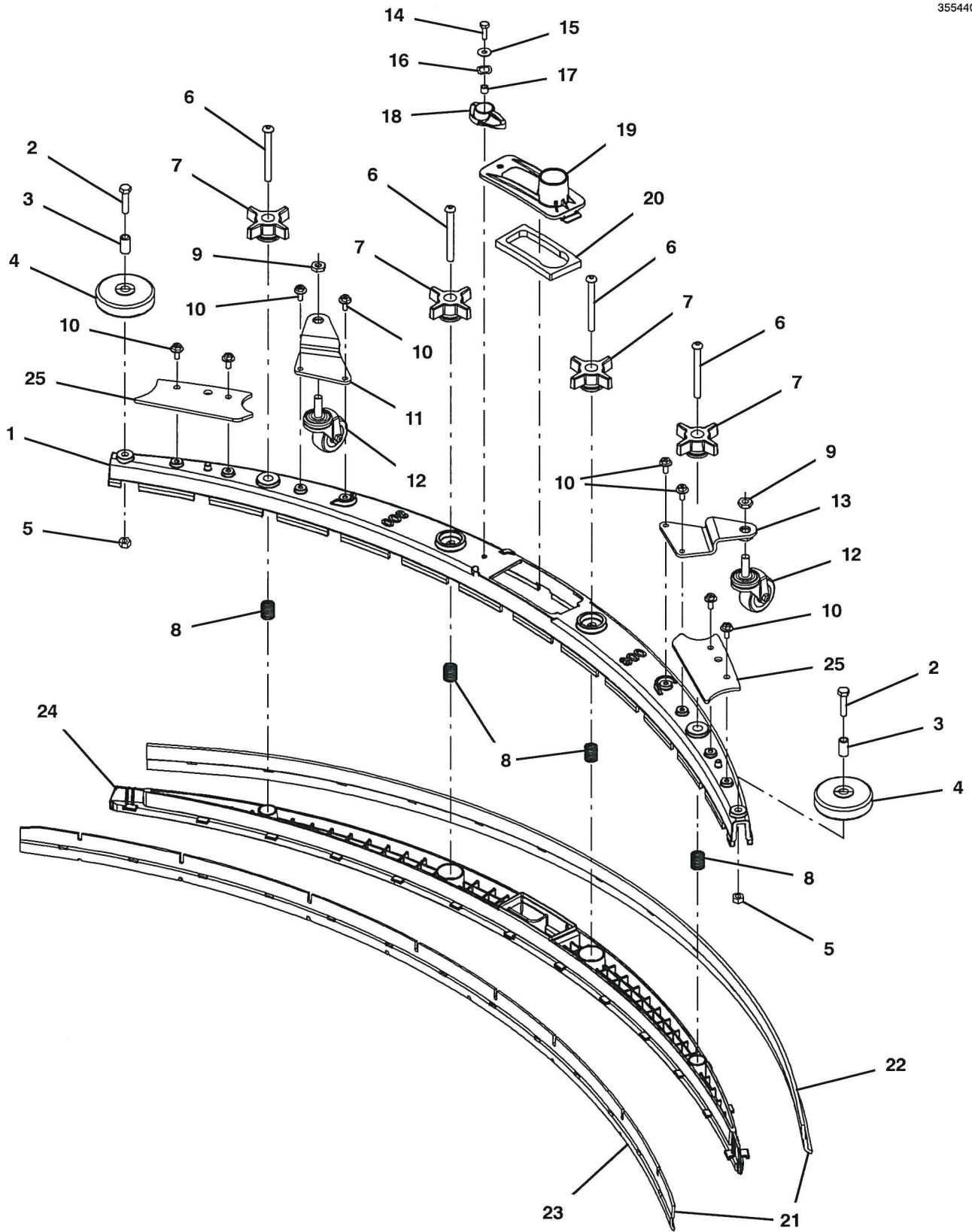
www.tennantco.com/manuals

9015530
Rev. 03 (11-2018)



SQUEEGEE ASSEMBLY, 800MM / 32IN

355440



SQUEEGEE ASSEMBLY, 800MM / 32IN

Ref.	Part No.	Serial Number	Description	Qty.
▽	9015303	(00001-) Squeegee Kit, 800mm, Ci	1
▲	1 1219894	(00001-) Frame, Sqge, 80cm, Mach [T500]	1
▲	2 59658	(00001-) Screw, Hex, M8 X 1.25 X 35, NI, Ss	2
▲	3 222496	(00001-) Sleeve, P/M, 0.32b 0.50d 0.9l [430ss]	2
▲	4 222066	(00001-) Wheel, 03.0d 0.88w 0.50b	2
▲	5 07786	(00001-) Nut, Hex, Std, M8 X 1.25, Ss	2
▲	6 1212755	(00001-) Screw, Btn, M8 X 1.25 X 80, Ss	4
▲	7 1074204	(00001-) Knob,Star,2.75d 4ear 1.1l M8x1.25,Thru,Y	4
▲	8 22290	(00001-) Spring, Cmpr, 0.72od .06wir 02.3l	4
▲	9 32716	(00001-) Nut, Hex, Jam, M10 X 1.5, Ss	2
▲	10 1034731	(00001-) Screw, Hex, M6 X 1.00 X 16, Sems, Ss	8
▲	11 1222236	(00001-) Bracket Wldt, Caster, Rh Sqge[T500]	1
▲	12 1006343	(00001-) Caster, Swivel, 50mmd, M10 X 30, Clr PI	2
▲	13 1222001	(00001-) Bracket Wldt, Caster, Lh Sqge [T500]	1
▲	14 12277	(00001-) Screw, Hex, M6 X 1.00 X 20, NI, Ss	1
▲	15 01684	(00001-) Washer, Flat, 0.27b 0.69d .05, Ss	1
▲	16 140060	(00001-) Washer, Wave- Spring, .505 .750 .045	1
▲	17 140154	(00001-) Sleeve, P/M, 0.25b 0.38d 0.3l, PI	1
▲	18 1222109	(00001-) Knob, Sqge, 58l, M6 X 1.00, Plstc	1
▲	19 1209631	(00001-) Cover, Trap, Water, Sqge	1
▲	20 1210756	(00001-) Gasket, Trap, Water, Sqge	1
▲▽	21 9015740	(00001-) Blade Kit, 800mm, Linatex (Standard)	1
▲▲	22 1221115	(00001-) Blade, Sqge, Rear, 1306l, Linatex[800mm] (Standard)	1
▲▲	23 1232681	(00001-) Blade, Sqge, Front, 1256l Linard[800mm] (Standard)	1
▲	24 1219405	(00001-) Retainer, Sqge, 80cm [T500]	1
▲	25 1230738	(00001-) Bracket, Sqge Bumper	2
▽	21 9015741	(00001-) Blade Kit, 800mm, Urethane (Option)	1
▲	22 1228920	(00001-) Blade, Sqge, Rear, 1306l,Urethane[800mm] (Option)	1
▲	23 1228922	(00001-) Blade, Sqge, Front,1256l Urethane[800mm] (Option)	1
▽	21 9015739	(00001-) Blade Kit, 800mm, Gum (Option)	1
▲	22 1228921	(00001-) Blade, Sqge, Rear, 1306l, Gum[800mm] (Option)	1
▲	23 1228923	(00001-) Blade, Sqge, Front, 1256l Gum[800mm] (Option)	1

▽ ASSEMBLY

▲ INCLUDED IN ASSEMBLY

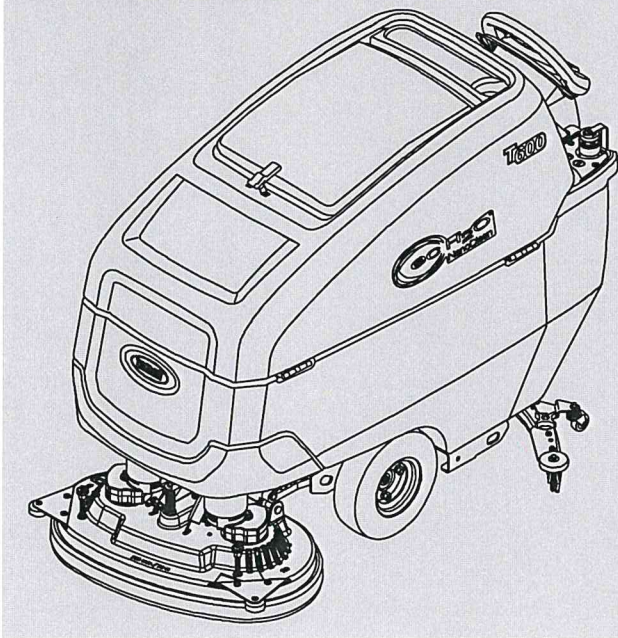
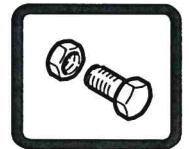


T600e/T600

WALK-BEHIND FLOOR SCRUBBER

Machine Serial Number Range
(S/N 00001-)

Parts Manual



Hygenic[®] Fully Cleanable Recovery Tank
Tennant *True*[®] Parts
IRIS[®] a Tennant Technology
Pro-Panel[®] Controls
Insta-Fit[™] Adapter
Smart-Fill[™] Automatic Battery Watering



Europe



For the latest Parts manuals and other language Operator manuals, visit:

www.tennantco.com/manuals

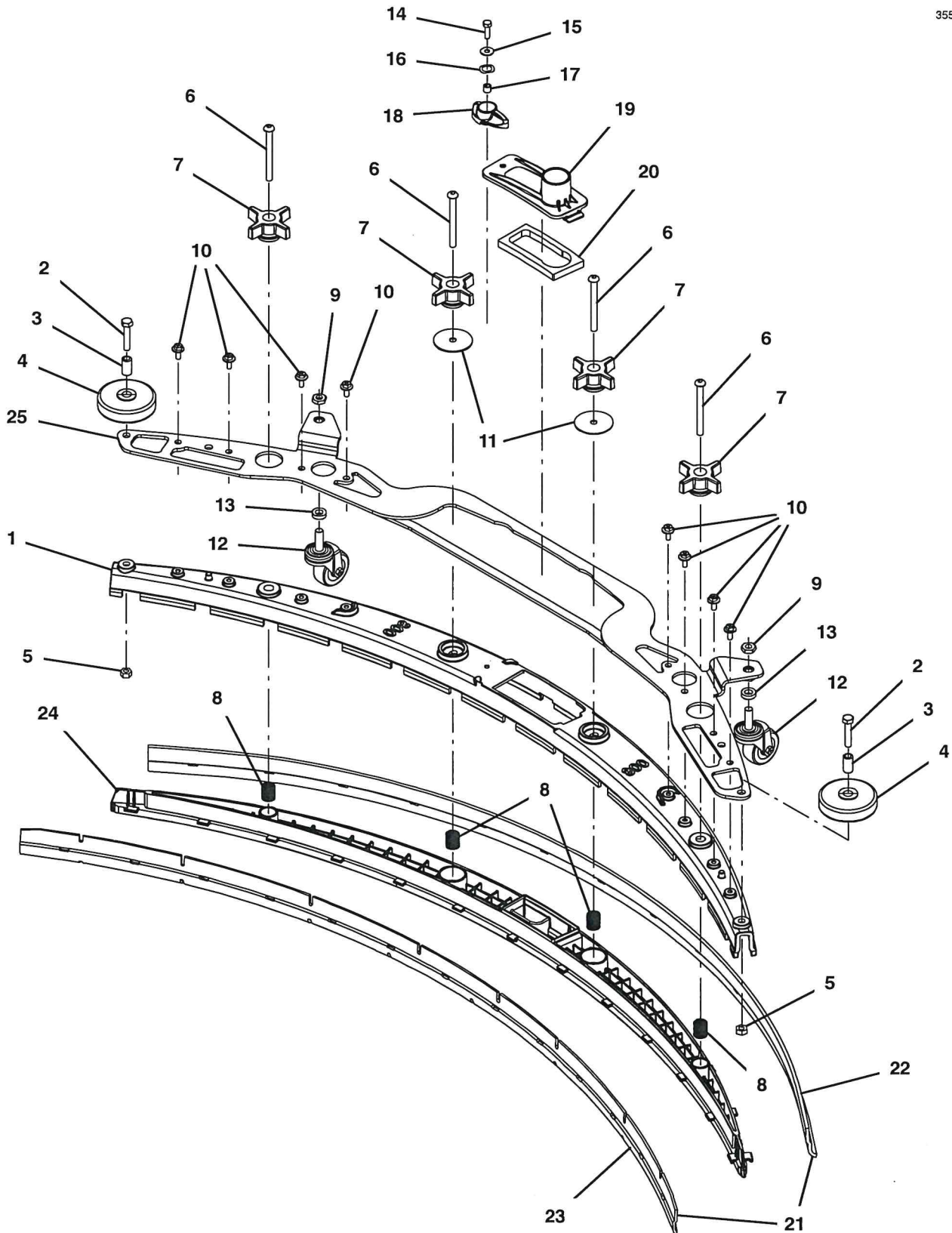
9016611
Rev. 03 (06-2022)



STANDARD PARTS

SQUEEGEE ASSEMBLY, 800MM / 32IN (Intended for 900MM Scrub Head Size) (Upgraded Style)

355712



**SQUEEGEE ASSEMBLY, 800MM / 32IN (Intended for 900MM Scrub Head Size)
(Upgraded Style)**

Ref.	Part No.	Serial Number	Description	Qty.
▽	9018127	(00001-) Squeegee Kit, 800mm	1
▲	1 1219894	(00001-) Frame, Sqge, 80cm, Mach [T500]	1
▲	2 74440	(00001-) Screw, Hex, M8 X 1.25 X 40, NI, Ss	2
▲	3 222496	(00001-) Sleeve, P/M, 0.32b 0.50d 0.9l [430ss]	2
▲	4 222066	(00001-) Wheel, 03.0d 0.88w 0.50b	2
▲	5 07786	(00001-) Nut, Hex, Std, M8 X 1.25, Ss	2
▲	6 1255358	(00001-) Screw, Btn, M8 X 1.25 X 85, Ss	4
▲	7 1074204	(00001-) Knob,Star,2.75d 4ear 1.1l M8x1.25,Thru,Y	4
▲	8 22290	(00001-) Spring, Cmpr, 0.72od .06wir 02.3l	4
▲	9 32716	(00001-) Nut, Hex, Jam, M10 X 1.5, Ss	2
▲	10 1034731	(00001-) Screw, Hex, M6 X 1.00 X 16, Sems, Ss	8
▲	11 1243081	(00001-) Washer, Flat, 0.034b 2.00d .06, Plstc	1
▲	12 1006343	(00001-) Caster, Swivel, 50mmd, M10 X 30, Clr PI	2
▲	13 1242820	(00001-) Sleeve, .40b .75d .2l [304Ss]	1
▲	14 12277	(00001-) Screw, Hex, M6 X 1.00 X 20, NI, Ss	1
▲	15 01684	(00001-) Washer, Flat, 0.27b 0.69d .05, Ss	1
▲	16 140060	(00001-) Washer, Wave-Spring, .505 .750 .045	1
▲	17 140154	(00001-) Sleeve, P/M, 0.25b 0.38d 0.3l, PI	1
▲	18 1222109	(00001-) Knob, Sqge, 58l, M6 X 1.00, Plstc	1
▲	19 1209631	(00001-) Cover, Trap, Water, Sqge	1
▲	20 1210756	(00001-) Gasket, Trap, Water, Sqge	1
▲▽	21 9015740	(00001-) Blade Kit, 800mm, Linatex/Linard (Standard)	1
▲▲	22 1221115	(00001-) Blade, Sqge, Rear, 1306l, Linatex[800mm] (Standard)	1
▲▲	23 1232681	(00001-) Blade, Sqge, Front, 1256l Linard[800mm] (Standard)	1
▲	24 1219405	(00001-) Retainer, Sqge, 80cm [T500]	1
▲	25 1242545	(00001-) Plate Wldt, Mtg, Caster [800]	2
▽	21 9015741	(00001-) Blade Kit, 800mm, Urethane (Option)	1
▲	22 1228920	(00001-) Blade, Sqge, Rear, 1306l,Urethane[800mm] (Option)	1
▲	23 1228922	(00001-) Blade, Sqge, Front,1256l Urethane[800mm] (Option)	1
▽	21 9015739	(00001-) Blade Kit, 800mm, Gum (Option)	1
▲	22 1228921	(00001-) Blade, Sqge, Rear, 1306l, Gum[800mm] (Option)	1
▲	23 1228923	(00001-) Blade, Sqge, Front, 1256l Gum[800mm] (Option)	1

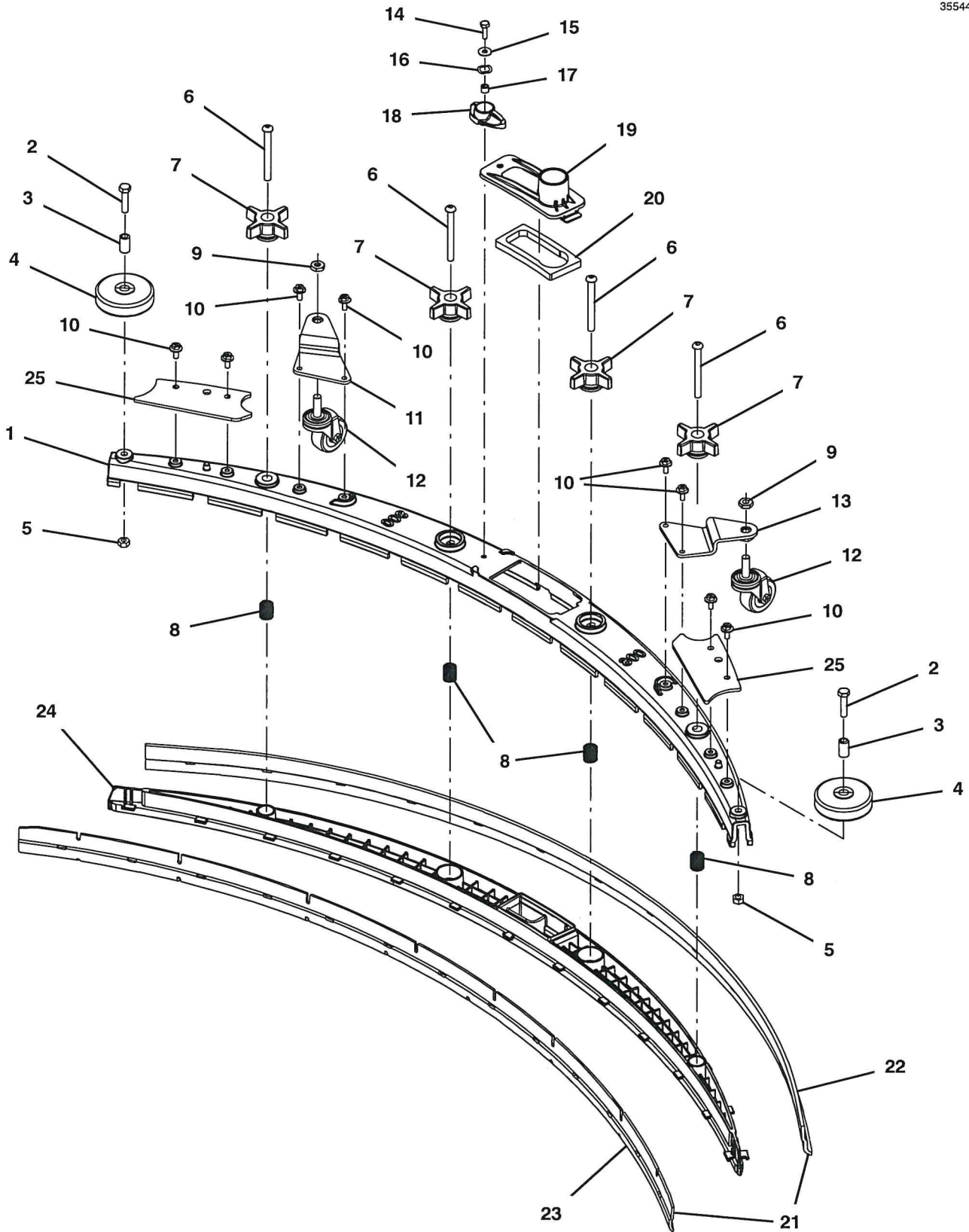
▽ ASSEMBLY

▲ INCLUDED IN ASSEMBLY

STANDARD PARTS

SQUEEGEE ASSEMBLY, 800MM / 32IN (Intended for 900MM Scrub Head Size) (Original Style - Replaced By 9018127)

355440



**SQUEEGEE ASSEMBLY, 800MM / 32IN (Intended for 900MM Scrub Head Size)
(Original Style – Replaced By 9018127)**

Ref.	Part No.	Serial Number	Description	Qty.
▽	9015303	(00001-) Squeegee Kit, 800mm, Ci (Replaced By 9018127)	1
▲	1 1219894	(00001-) Frame, Sqge, 80cm, Mach [T500]	1
▲	2 59658	(00001-) Screw, Hex, M8 X 1.25 X 35, NI, Ss	2
▲	3 222496	(00001-) Sleeve, P/M, 0.32b 0.50d 0.9l [430ss]	2
▲	4 222066	(00001-) Wheel, 03.0d 0.88w 0.50b	2
▲	5 07786	(00001-) Nut, Hex, Std, M8 X 1.25, Ss	2
▲	6 1255358	(00001-) Screw, Btn, M8 X 1.25 X 85, Ss	4
▲	7 1074204	(00001-) Knob,Star,2.75d 4ear 1.1l M8x1.25,Thru,Y	4
▲	8 22290	(00001-) Spring, Cmpr, 0.72od .06wir 02.3l	4
▲	9 32716	(00001-) Nut, Hex, Jam, M10 X 1.5, Ss	2
▲	10 1034731	(00001-) Screw, Hex, M6 X 1.00 X 16, Sems, Ss	8
▲	11 1222236	(00001-) Bracket Wldt, Caster, Rh Sqge[T500]	1
▲	12 1006343	(00001-) Caster, Swivel, 50mmd, M10 X 30, Clr PI	2
▲	13 1222001	(00001-) Bracket Wldt, Caster, Lh Sqge [T500]	1
▲	14 12277	(00001-) Screw, Hex, M6 X 1.00 X 20, NI, Ss	1
▲	15 01684	(00001-) Washer, Flat, 0.27b 0.69d .05, Ss	1
▲	16 140060	(00001-) Washer, Wave-Spring, .505 .750 .045	1
▲	17 140154	(00001-) Sleeve, P/M, 0.25b 0.38d 0.3l, PI	1
▲	18 1222109	(00001-) Knob, Sqge, 58l, M6 X 1.00, Plstc	1
▲	19 1209631	(00001-) Cover, Trap, Water, Sqge	1
▲	20 1210756	(00001-) Gasket, Trap, Water, Sqge	1
▲▽	21 9015740	(00001-) Blade Kit, 800mm, Linatex/Linard (Standard)	1
▲▲	22 1221115	(00001-) Blade, Sqge, Rear, 1306l, Linatex[800mm] (Standard)	1
▲▲	23 1232681	(00001-) Blade, Sqge, Front, 1256l Linard[800mm] (Standard)	1
▲	24 1219405	(00001-) Retainer, Sqge, 80cm [T500]	1
▲	25 1230738	(00001-) Bracket, Sqge Bumper	2
▽	21 9015741	(00001-) Blade Kit, 800mm, Urethane (Option)	1
▲	22 1228920	(00001-) Blade, Sqge, Rear, 1306l,Urethane[800mm] (Option)	1
▲	23 1228922	(00001-) Blade, Sqge, Front,1256l Urethane[800mm] (Option)	1
▽	21 9015739	(00001-) Blade Kit, 800mm, Gum (Option)	1
▲	22 1228921	(00001-) Blade, Sqge, Rear, 1306l, Gum[800mm] (Option)	1
▲	23 1228923	(00001-) Blade, Sqge, Front, 1256l Gum[800mm] (Option)	1

▽ ASSEMBLY

▲ INCLUDED IN ASSEMBLY