

STANDARD PARTS

Fig. 12 - Disk Scrub Head Drive Motor Group, 900 mm (36 in)

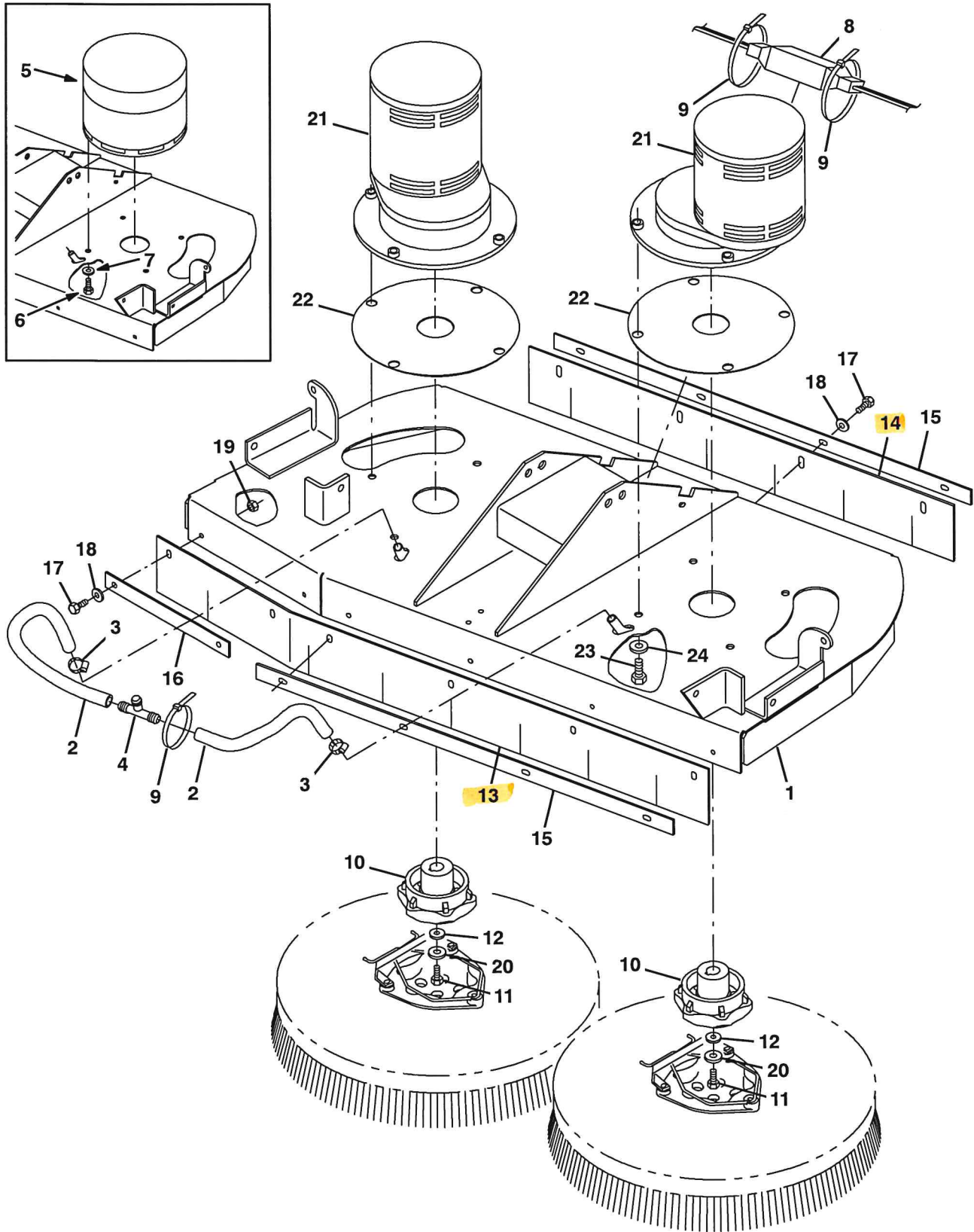


Fig. 11 – Scrub Head Drive Motor Group, Disk

