

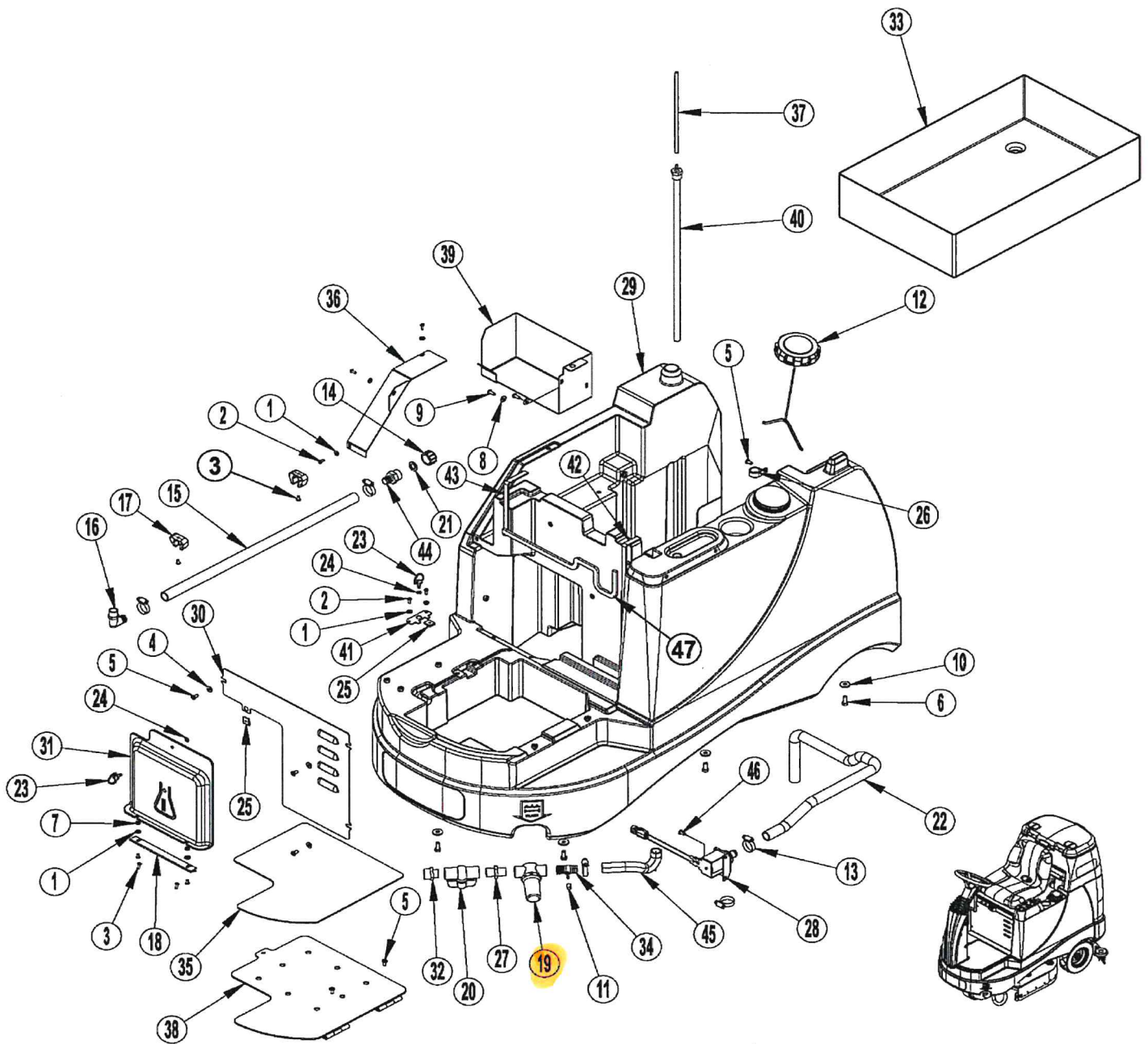
# Solution system

BR 755, BR 855

29-03-2010

Part List ID  
BR75523

29



# Solution system

BR 755, BR 855

29-03-2010

Part List ID  
BR75523

30

Pos	Part no.	Qty	Description	EAN
1	56001954	7	WSH FLT SAE 10	
2	56001993	5	SCREW 10 24 X 0.5 ZINC PL	
3	56009139	6	SCR PAN PHIL LOC 10 24X.38	
4	56002098	3	WSH FLT SAE 1/4	
5	56002145	8	SCR PAN PHIL 1/4 20 X .50	
6	56002667	4	SCR HEX 5/16 18 X .75	
7	56002832	2	NUT HEX NYL LOC THIN 10 24	
8	56002859	2	WSH FLT SAE SS 1/4	5711143098
9	56002989	2	SCR PAN PHIL SS 1/4 20 X .62	
10	56009122	4	WSH FLT .344X.938X.125	
11	56051209	1	RUBBER TIP BLACK	
12	56601599	1	CAP RAW WITH TETHER	5711143108
13	56244969	5	CLAMP HOSE SAE 12 E00047	
14	56255076	1	CAP PIPE GHT NYLON FA33K	
15	56261265	1	TUBE E00521	
16	56314757	1	ELBOW 90BARBMALE1/2 14 .75HOSE	
17	56601598	1	HOSE CLIP	5711143109
18	56315285	1	HINGE	
19	56315296	1	SOLUTION FILTER	
19	56601594	1	KIT SOLUTION FILTER	OPTIONAL, NOT INCLUDED 5711143108
20	56315607	1	BALL VALVE	
21	56368776	1	WSH FLT RUBBER .625CV80L	
22	56379139	1	TUBE PVC .750X30 E00521	
23	56380132	2	FASTENER CR38A	
24	56380137	2	RETAINER CR38B	
25	56380141	2	RECEPTACLE CR38C	
26	56410097	3	CLAMP P	
27	56412182	1	COUPLING 1/2NPT TO 1/2NPT	
28	56601064	1	SOLENOID VALVE ASSEMBLY	
29	56601076	1	SOLUTION TANK	5711143106
30	56601106	1	PANEL	5711143103
31	56601202	1	CHEMICAL BOTTLE COVER	5711143098
32	56601212	1	NIPPLE REDUCER	5711143106
33	56601213	1	BATTERY BOX	5711143106
34	56601236	1	TEE SPECIAL 3/4 X 3/16 X 1/2	5711143106
35	56601246	1	MAT	5711143106
36	56601268	1	PLATE	5711143106
37	56601273	1	HOSE	5711143106
38	56601339	1	CHARGER COVER WELDMENT	5711143106
39	56601398	1	BRACKET	5711143106
40	56601481	1	TUBE PRESSURE SENSING	5711143107
41	56601511	1	PLATE	5711143107