

Recovery tank - before Serial no. 054418642

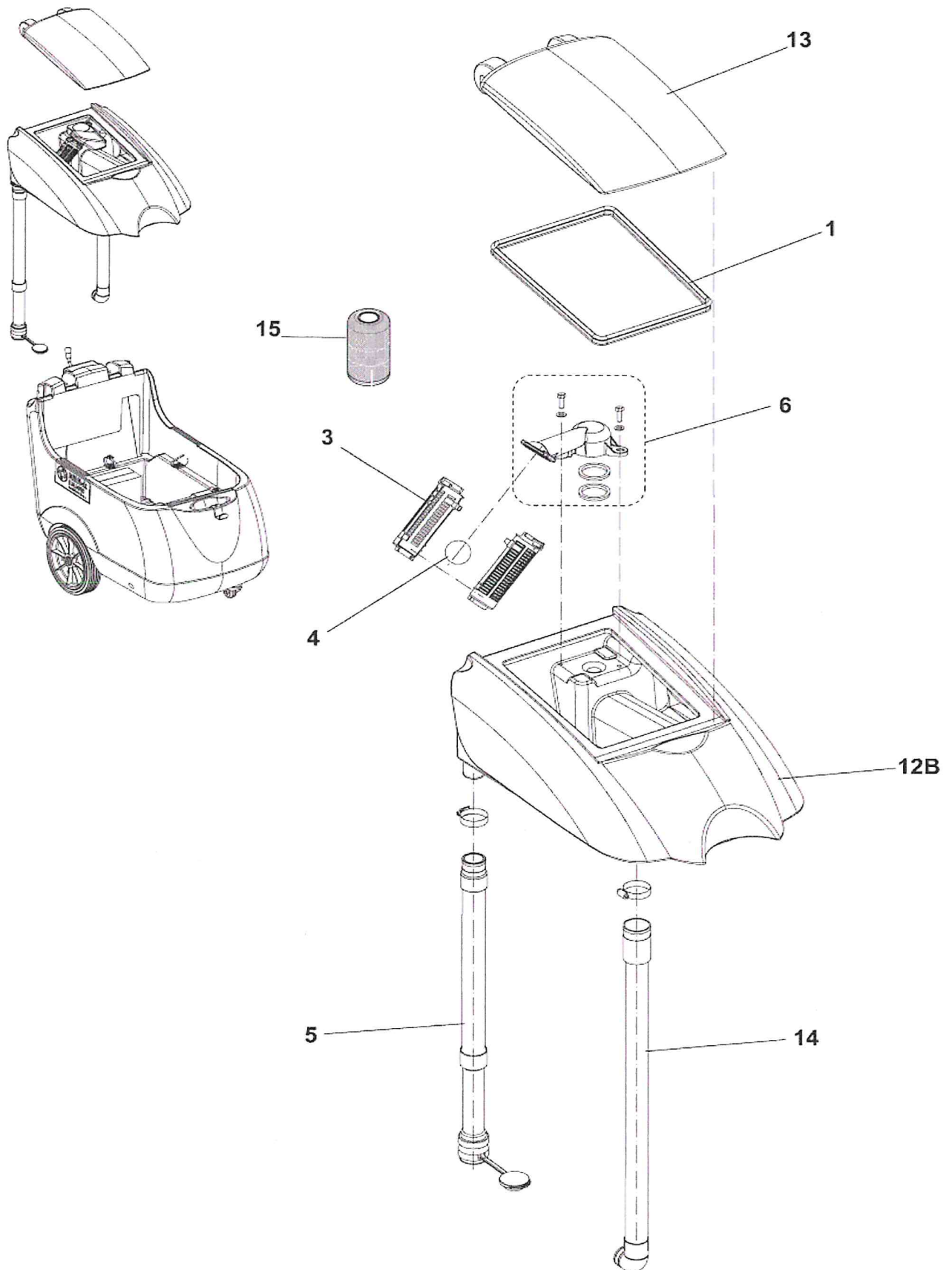
BA 410

11-04-2010

Part List ID

E7917

7



Recovery tank - before Serial no. 054418642

BA 410

11-04-2010

Part List ID

E7917

8

Pos	Part no.	Qty	Description	EAN
0	909 5988 000	1	HARDWARE, TANK FIXING KIT	5711140125
1	909 5716 000	1	GASKET	5711140123
3	L08812259	2	CAGE.FLOAT CPL	5711140017
4	L08812373	1	BALL FLOATING	5711140018
5	9098255000	1	HOSE DRAIN	5711140140
13	909 5553 000	1	COVER TANKS	5711140123
14	909 5578 000	1	HOSE SUCTION	5711140123
15	909 5065 000	1	FILTER ANTIFOAMING	5711140120
			OPTION TSB IT 2008-002	
6A	9097681000	1	CAGE FLOAT HOLDER KIT	5711140135
			TSB IT 2008-009 - INSTR.CODE 9097680000	
12B	909 6061 000	1	TANK RECOVERY KIT	5711140125
			TSB IT 2006-001	

A: SEE TSB IT 2008-009

B: SEE TSB IT 2006-001