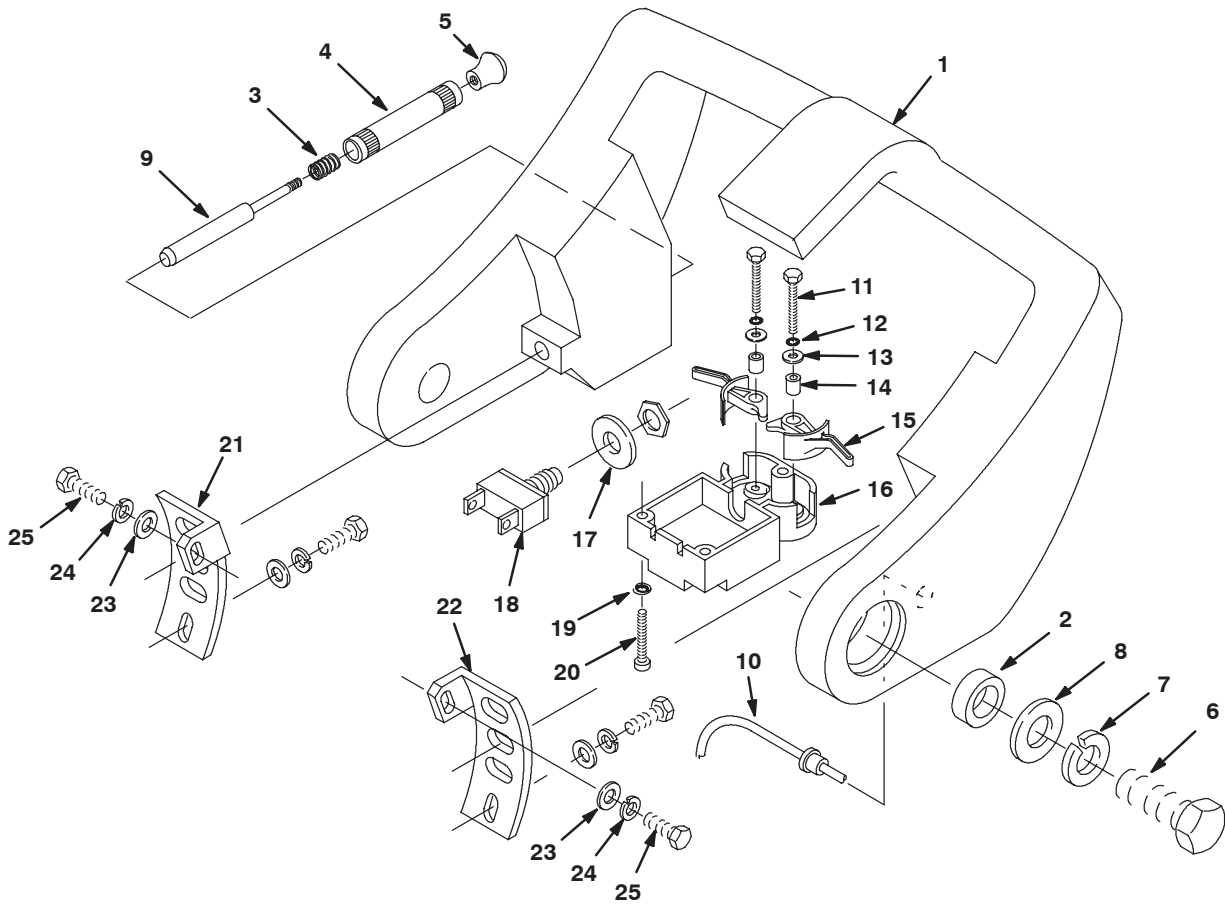


PARTS LIST - LISTA DE PIEZAS - LISTE DES PIÈCES

CONTROL HANDLE GROUP / MANIJA GRUPO / POIGNÉE GROUPE



REF	PART #	DESCRIPTION	QTY.
∇ 1	608360	HANDLE KIT, GREEN	1
▲ 2	1002725	SPACER, 0.875OD 6.504ID 0.62L	2
3	601470	SPRING, CMPR 12.2D 1.0W 25.4L	2
4	601421	TUBE, HANDLE LATCH	2
5	601424	KNOB, LATCH	2
6	601435	SCREW, HXHD M12X30MM	2
7	140024	WASHER, LOCK	2
8	140045	WASHER, FLAT	2
9	601422	PIN, HANDLE LATCH	2
10	607109	CORD, 18/2 SVTX27 3/8 SJT	1
∇	611469	ASM., TRIGGER CONTROL BOX	1
▲ 11	069764190	SCREW, HEX M03X0.5X16	2
▲ 12	200662012	WASHER, LOCK	2

REF	PART #	DESCRIPTION	QTY.
▲ 13	578186000	WASHER, FLAT	2
▲ 14	578082000	SPACER	2
▲ 15	578002000	ARM, TRIGGER	2
▲ 16	601429	CONSOLE, TRIGGER	1
▲ 17	578430	WASHER, FLAT	1
▲ 18	130712	●SWITCH, PULSE	1
19	140061	WASHER, #8 EXT	3
20	33931	SCREW, PAN M4X0.7X30 SS	3
21	601423	BRACKET, LATCH RIGHT	1
22	601465	BRACKET, LATCH LEFT	1
23	140027	WASHER, FLAT	4
24	140015	WASHER, LOCK	4
25	630425	SCREW, M8X20MM	4

∇ ASSEMBLY / CONJUNTO / ENSEMBLE

▲ INCLUDED IN ASSEMBLY / INCLUIDO EN EL CONJUNTO / Y COMPRIS EN ENSEMBLE

● RECOMMENDED STOCK ITEMS / ARTICULOS RECOMENDADOS PARA MANTENER EN EXISTENCIA / ÉLÉMENTS DE STOCK RECOMMANDÉS