



# T500

WALK-BEHIND FLOOR SCRUBBER

Machine Serial Number Range  
(S/N 00001- )

Parts Manual



*Hygenic*<sup>®</sup> Fully Cleanable Recovery Tank  
*TennantTrue*<sup>®</sup> Parts  
*IRIS*<sup>®</sup> a Tennant Technology  
*Pro-Panel*<sup>®</sup> Controls  
*Insta-Fit*<sup>™</sup> Adapter  
*Smart-Fill*<sup>™</sup> Automatic Battery Watering



For the latest Parts manuals and other language Operator manuals, visit:

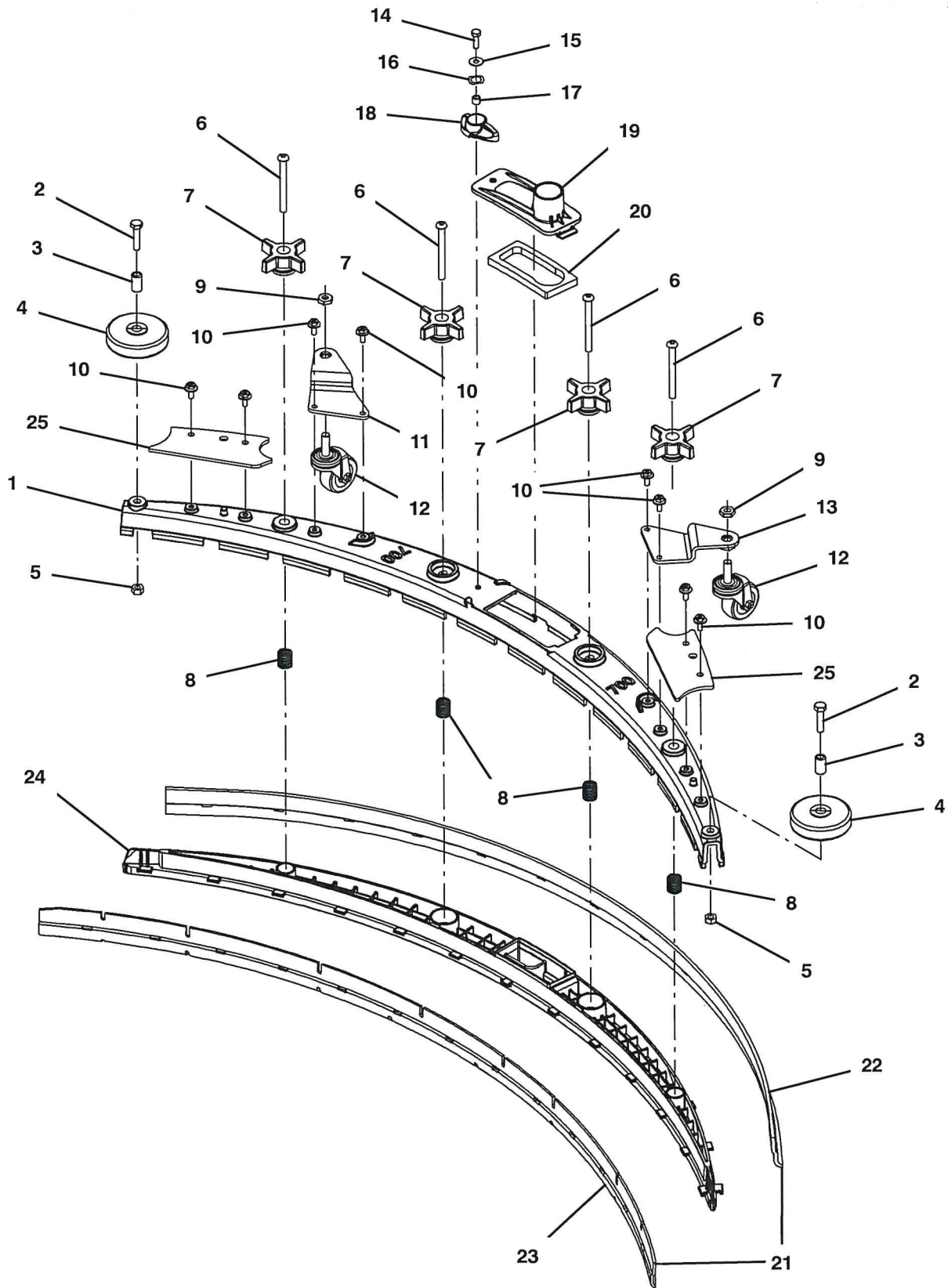
[www.tennantco.com/manuals](http://www.tennantco.com/manuals)

9015530  
Rev. 03 (11-2018)



SQUEEGEE ASSEMBLY, 700MM / 28IN

355439



## SQUEEGEE ASSEMBLY, 700MM / 28IN

Ref.	Part No.	Serial Number	Description	Qty.
▽	9015302	(00001-	) Squeegee Kit, 700mm, Ci	1
▲	1 1220309	(00001-	) Frame, Sqge, 70cm, Mach [T500]	1
▲	2 59658	(00001-	) Screw, Hex, M8 X 1.25 X 35, NI, Ss	2
▲	3 222496	(00001-	) Sleeve, P/M, 0.32b 0.50d 0.9l [430ss]	2
▲	4 222066	(00001-	) Wheel, 03.0d 0.88w 0.50b	2
▲	5 07786	(00001-	) Nut, Hex, Std, M8 X 1.25, Ss	2
▲	6 1212755	(00001-	) Screw, Btn, M8 X 1.25 X 80, Ss	4
▲	7 1074204	(00001-	) Knob,Star,2.75d 4ear 1.1l M8x1.25,Thru,Y	4
▲	8 22290	(00001-	) Spring, Cmpr, 0.72od .06wir 02.3l	4
▲	9 32716	(00001-	) Nut, Hex, Jam, M10 X 1.5, Ss	2
▲	10 1034731	(00001-	) Screw, Hex, M6 X 1.00 X 16, Sems, Ss	8
▲	11 1222236	(00001-	) Bracket Wldt, Caster, Rh Sqge[T500]	1
▲	12 1006343	(00001-	) Caster, Swivel, 50mmd, M10 X 30, Clr PI	2
▲	13 1222001	(00001-	) Bracket Wldt, Caster, Lh Sqge [T500]	1
▲	14 12277	(00001-	) Screw, Hex, M6 X 1.00 X 20, NI, Ss	1
▲	15 01684	(00001-	) Washer, Flat, 0.27b 0.69d .05, Ss	1
▲	16 140060	(00001-	) Washer, Wave- Spring, .505 .750 .045	1
▲	17 140154	(00001-	) Sleeve, P/M, 0.25b 0.38d 0.3l, PI	1
▲	18 1222109	(00001-	) Knob, Sqge, 58l, M6 X 1.00, Plstc	1
▲	19 1209631	(00001-	) Cover, Trap, Water, Sqge	1
▲	20 1210756	(00001-	) Gasket, Trap, Water, Sqge	1
▲▽	21 9015737	(00001-	) Blade Kit, 700mm, Linatex (Standard)	1
▲▲	22 1221572	(00001-	) Blade, Sqge, Rear, 1204l, Linatex[700mm] (Standard)	1
▲▲	23 1232679	(00001-	) Blade, Sqge, Front, 1148l Linard[700mm] (Standard)	1
▲	24 1220783	(00001-	) Retainer, Sqge, 70cm [T500]	1
▲	25 1230738	(00001-	) Bracket, Sqge Bumper	2
▽	21 9015738	(00001-	) Blade Kit, 700mm, Urethane (Option)	1
▲	22 1228904	(00001-	) Blade, Sqge, Rear, 1204l,Urethane[700mm] (Option)	1
▲	23 1228906	(00001-	) Blade, Sqge, Front,1148l Urethane[700mm] (Option)	1
▽	21 9015736	(00001-	) Blade Kit, 700mm, Gum (Option)	1
▲	22 1228905	(00001-	) Blade, Sqge, Rear, 1204l, Gum[700mm] (Option)	1
▲	23 1228907	(00001-	) Blade, Sqge, Front, 1148l Gum[700mm] (Option)	1

▽ ASSEMBLY

▲ INCLUDED IN ASSEMBLY

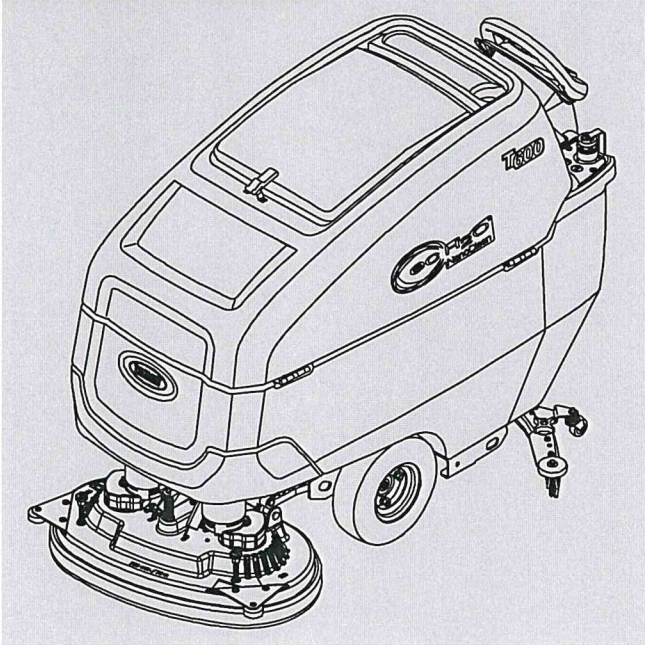


# T600e/T600

WALK-BEHIND FLOOR SCRUBBER

Machine Serial Number Range  
(S/N 00001- )

Parts Manual



*Hygenic*<sup>®</sup> Fully Cleanable Recovery Tank  
Tennant *True*<sup>®</sup> Parts  
*IRIS*<sup>®</sup> a Tennant Technology  
*Pro-Panel*<sup>®</sup> Controls  
*Insta-Fit*<sup>™</sup> Adapter  
*Smart-Fill*<sup>™</sup> Automatic Battery Watering



Europe



For the latest Parts manuals and other  
language Operator manuals, visit:

[www.tennantco.com/manuals](http://www.tennantco.com/manuals)

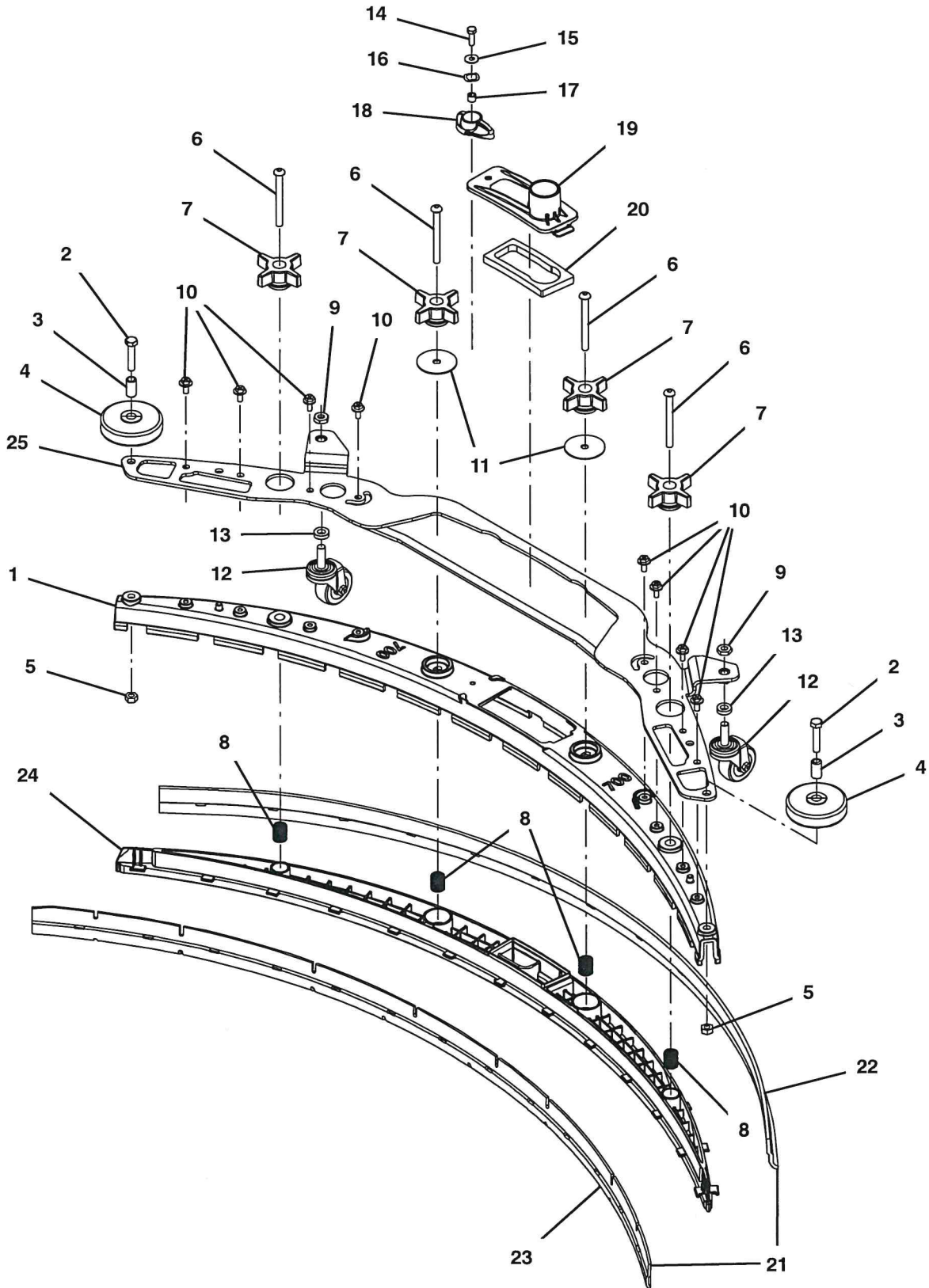
9016611  
Rev. 03 (06-2022)



# STANDARD PARTS

## SQUEEGEE ASSEMBLY, 700MM / 28IN (Intended for 800MM Scrub Head Size) (Upgraded Style)

355711



**SQUEEGEE ASSEMBLY, 700MM / 28IN (Intended for 800MM Scrub Head Size)  
(Upgraded Style)**

Ref.	Part No.	Serial Number	Description	Qty.
▽	9018086	(00001-	) Squeegee Kit, 700mm	1
▲	1 1220309	(00001-	) Frame, Sqge, 70cm, Mach [T500]	1
▲	2 74440	(00001-	) Screw, Hex, M8 X 1.25 X 40, NI, Ss	2
▲	3 222496	(00001-	) Sleeve, P/M, 0.32b 0.50d 0.9l [430ss]	2
▲	4 222066	(00001-	) Wheel, 03.0d 0.88w 0.50b	2
▲	5 07786	(00001-	) Nut, Hex, Std, M8 X 1.25, Ss	2
▲	6 1255358	(00001-	) Screw, Btn, M8 X 1.25 X 85, Ss	4
▲	7 1074204	(00001-	) Knob,Star,2.75d 4ear 1.1l M8x1.25,Thru,Y	4
▲	8 22290	(00001-	) Spring, Cmpr, 0.72od .06wir 02.3l	4
▲	9 32716	(00001-	) Nut, Hex, Jam, M10 X 1.5, Ss	2
▲	10 1034731	(00001-	) Screw, Hex, M6 X 1.00 X 16, Sems, Ss	8
▲	11 1243081	(00001-	) Washer, Flat, 0.034b 2.00d .06, Plstc	1
▲	12 1006343	(00001-	) Caster, Swivel, 50mmd, M10 X 30, Clr PI	2
▲	13 1242820	(00001-	) Sleeve, .40b .75d .2l [304Ss]	1
▲	14 12277	(00001-	) Screw, Hex, M6 X 1.00 X 20, NI, Ss	1
▲	15 01684	(00001-	) Washer, Flat, 0.27b 0.69d .05, Ss	1
▲	16 140060	(00001-	) Washer, Wave-Spring, .505 .750 .045	1
▲	17 140154	(00001-	) Sleeve, P/M, 0.25b 0.38d 0.3l, PI	1
▲	18 1222109	(00001-	) Knob, Sqge, 58l, M6 X 1.00, Plstc	1
▲	19 1209631	(00001-	) Cover, Trap, Water, Sqge	1
▲	20 1210756	(00001-	) Gasket, Trap, Water, Sqge	1
▲▽	21 9015737	(00001-	) Blade Kit, 700mm, Linatex/Linard (Standard)	1
▲▲	22 1221572	(00001-	) Blade, Sqge, Rear, 1204l, Linatex[700mm] (Standard)	1
▲▲	23 1232679	(00001-	) Blade, Sqge, Front, 1148l Linard[700mm] (Standard)	1
▲	24 1220783	(00001-	) Retainer, Sqge, 70cm [T500]	1
▲	25 1242196	(00001-	) Plate Wldt, Mtg, Caster [700]	2
▽	21 9015738	(00001-	) Blade Kit, 700mm, Urethane (Option)	1
▲	22 1228904	(00001-	) Blade, Sqge, Rear, 1204l,Urethane[700mm] (Option)	1
▲	23 1228906	(00001-	) Blade, Sqge, Front,1148l Urethane[700mm] (Option)	1
▽	21 9015736	(00001-	) Blade Kit, 700mm, Gum (Option)	1
▲	22 1228905	(00001-	) Blade, Sqge, Rear, 1204l, Gum[700mm] (Option)	1
▲	23 1228907	(00001-	) Blade, Sqge, Front, 1148l Gum[700mm] (Option)	1

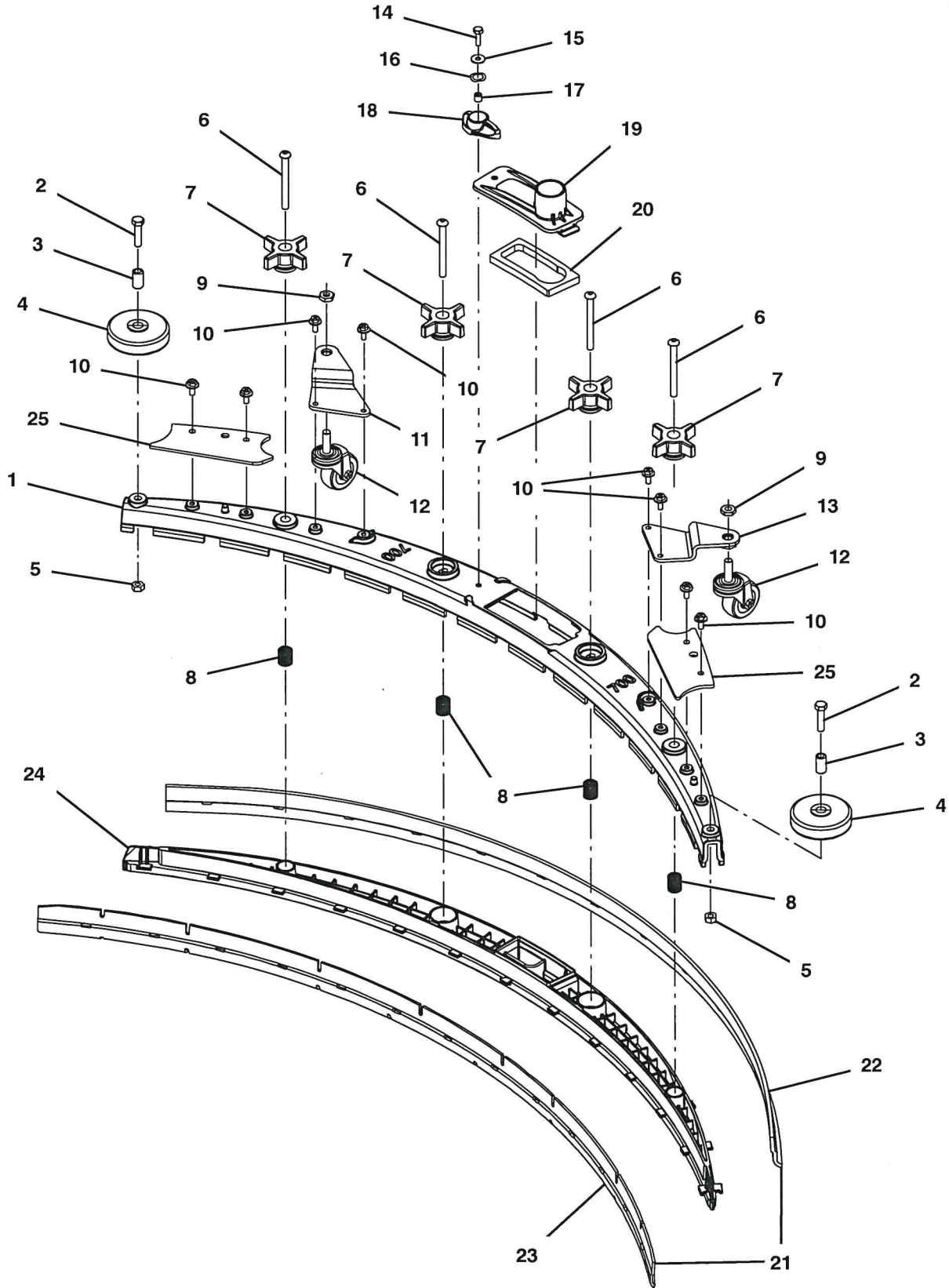
▽ ASSEMBLY

▲ INCLUDED IN ASSEMBLY

# STANDARD PARTS

## SQUEEGEE ASSEMBLY, 700MM / 28IN (Intended for 800MM Scrub Head Size) (Original Style - Replaced By 9018086)

355439



**SQUEEGEE ASSEMBLY, 700MM / 28IN (Intended for 800MM Scrub Head Size)  
(Original Style – Replaced By 9018086)**

Ref.	Part No.	Serial Number	Description	Qty.
▽	9015302	(00001-	) Squeegee Kit, 700mm, Ci (Replaced By 9018086)	1
▲	1 1220309	(00001-	) Frame, Sqge, 70cm, Mach [T500]	1
▲	2 59658	(00001-	) Screw, Hex, M8 X 1.25 X 35, NI, Ss	2
▲	3 222496	(00001-	) Sleeve, P/M, 0.32b 0.50d 0.9l [430ss]	2
▲	4 222066	(00001-	) Wheel, 03.0d 0.88w 0.50b	2
▲	5 07786	(00001-	) Nut, Hex, Std, M8 X 1.25, Ss	2
▲	6 1255358	(00001-	) Screw, Btn, M8 X 1.25 X 85, Ss	4
▲	7 1074204	(00001-	) Knob,Star,2.75d 4ear 1.1l M8x1.25,Thru,Y	4
▲	8 22290	(00001-	) Spring, Cmpr, 0.72od .06wir 02.3l	4
▲	9 32716	(00001-	) Nut, Hex, Jam, M10 X 1.5, Ss	2
▲	10 1034731	(00001-	) Screw, Hex, M6 X 1.00 X 16, Sems, Ss	8
▲	11 1222236	(00001-	) Bracket Wldt, Caster, Rh Sqge[T500]	1
▲	12 1006343	(00001-	) Caster, Swivel, 50mmd, M10 X 30, Clr PI	2
▲	13 1222001	(00001-	) Bracket Wldt, Caster, Lh Sqge [T500]	1
▲	14 12277	(00001-	) Screw, Hex, M6 X 1.00 X 20, NI, Ss	1
▲	15 01684	(00001-	) Washer, Flat, 0.27b 0.69d .05, Ss	1
▲	16 140060	(00001-	) Washer, Wave-Spring, .505 .750 .045	1
▲	17 140154	(00001-	) Sleeve, P/M, 0.25b 0.38d 0.3l, PI	1
▲	18 1222109	(00001-	) Knob, Sqge, 58l, M6 X 1.00, Plstc	1
▲	19 1209631	(00001-	) Cover, Trap, Water, Sqge	1
▲	20 1210756	(00001-	) Gasket, Trap, Water, Sqge	1
▲▽	21 9015737	(00001-	) Blade Kit, 700mm, Linatex/Linard (Standard)	1
▲▲	22 1221572	(00001-	) Blade, Sqge, Rear, 1204l, Linatex[700mm] (Standard)	1
▲▲	23 1232679	(00001-	) Blade, Sqge, Front, 1148l Linard[700mm] (Standard)	1
▲	24 1220783	(00001-	) Retainer, Sqge, 70cm [T500]	1
▲	25 1230738	(00001-	) Bracket, Sqge Bumper	2
▽	21 9015738	(00001-	) Blade Kit, 700mm, Urethane (Option)	1
▲	22 1228904	(00001-	) Blade, Sqge, Rear, 1204l,Urethane[700mm] (Option)	1
▲	23 1228906	(00001-	) Blade, Sqge, Front,1148l Urethane[700mm] (Option)	1
▽	21 9015736	(00001-	) Blade Kit, 700mm, Gum (Option)	1
▲	22 1228905	(00001-	) Blade, Sqge, Rear, 1204l, Gum[700mm] (Option)	1
▲	23 1228907	(00001-	) Blade, Sqge, Front, 1148l Gum[700mm] (Option)	1

▽ ASSEMBLY

▲ INCLUDED IN ASSEMBLY